

ANA Cargo

ANA 

Dimension Guide



Dimension Guide

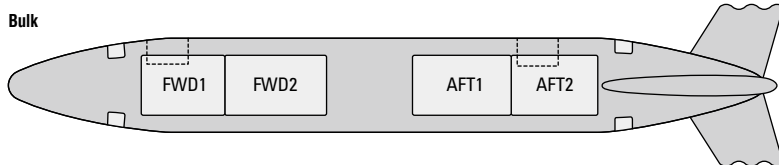
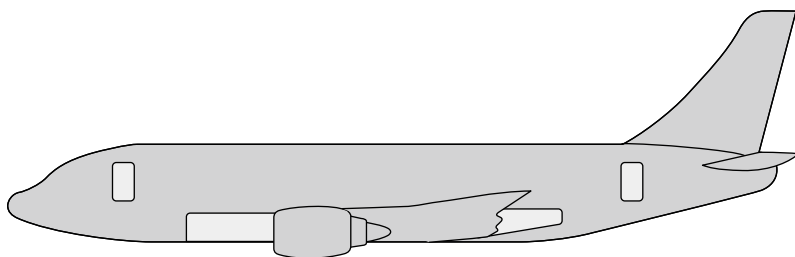
CONTENTS

AIRCRAFT

BOEING 737-800	2
BOEING 767-300	4
BOEING 767-300 F/BCF	6
BOEING 777-200	8
BOEING 777-300	10
BOEING 777F	12
BOEING 787-8	14
BOEING 787-9	16
BOEING 787-10	18
AIRBUS 320/321	20
AIRBUS 380	22
DHC8-400	24
UNIT LOAD DEVICES	28 ~ 41

Updated in 2026

1

BOEING 737-800

AFT CARGO ROOM の FWD 側にはスライディングカーペットが装備されている

● Cargo door dimensions

1 cm (inch) |

Name of CGO Door	Door Dimension Width × Height
FWD CGO Door	121 × 88 (48 × 35)
AFT CGO Door	121 × 78~88 (48 × 31~35)

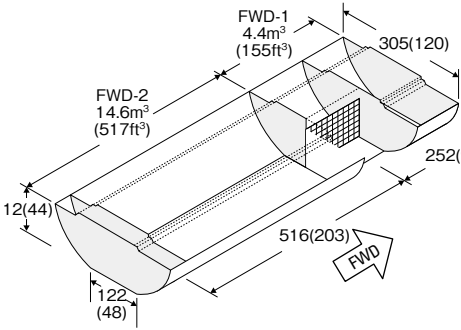
● Weight Limitation

Compartment		Maximum Weight of Loading	Floor Limitation
FWD	F-1	809kg (1,785Lbs)	732kg/m ² (150Lbs/ft ²)
	F-2	2,670kg (5,887Lbs)	732kg/m ² (150Lbs/ft ²)
AFT	A-1	3,818kg (8,418Lbs)	732kg/m ² (150Lbs/ft ²)
	A-2	764kg (1,685Lbs)	732kg/m ² (150Lbs/ft ²)

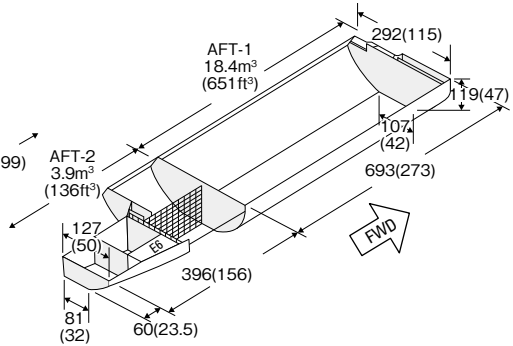
* 貨物室毎の最大重量のため、航空機 1 機あたりの最大重量ではありません。

* 航空機 1 機あたりの最大重量は、運航路線や天候等により異なりますので営業担当者までお問い合わせください。

■ FWD Comp't dimension



■ AFT Comp't dimension



1 cm (inch)

● Package size table (FWD)

1 cm (inch)

Height	Width											
	12 (5)	25 (10)	38 (15)	50 (20)	63 (25)	76 (30)	89 (35)	101 (40)	114 (45)	122 (48)		
	Length											
86 (34)	284 (112)	254 (100)	228 (90)	205 (81)	185 (73)	170 (67)	154 (61)	144 (57)	137 (54)	134 (53)		
81 (32)	332 (131)	294 (116)	264 (104)	238 (94)	215 (85)	195 (77)	180 (71)	167 (66)	160 (63)	157 (62)		
76 (30)	381 (150)	332 (131)	297 (117)	266 (105)	241 (95)	220 (87)	203 (80)	187 (74)	180 (71)	175 (69)		
71 (28)	426 (168)	373 (147)	314 (124)	294 (116)	266 (105)	241 (95)	223 (88)	208 (82)	195 (77)	193 (76)		
66 (26)	477 (188)	408 (161)	360 (142)	320 (126)	287 (113)	261 (103)	238 (94)	223 (88)	210 (83)	205 (81)		
60 (24)	533 (210)	449 (177)	391 (154)	347 (137)	309 (122)	281 (111)	256 (101)	238 (94)	226 (89)	220 (87)		
55 (22)	586 (231)	492 (194)	424 (167)	373 (147)	332 (131)	299 (118)	274 (108)	254 (100)	238 (94)	231 (91)		
50 (20)	645 (254)	533 (210)	457 (180)	398 (157)	353 (139)	317 (125)	289 (114)	266 (105)	248 (98)	243 (96)		
45 (18)	693 (275)	579 (228)	490 (193)	424 (167)	373 (147)	335 (132)	302 (119)	279 (110)	259 (102)	254 (100)		
40 (16)	695 (274)	627 (247)	523 (206)	449 (177)	401 (158)	353 (139)	317 (125)	289 (114)	269 (106)	261 (103)		
35 (14)	698 (275)	678 (267)	558 (220)	477 (188)	429 (169)	368 (145)	330 (130)	302 (119)	279 (110)	271 (107)		
30 (12)	703 (277)	693 (273)	591 (233)	500 (197)	434 (171)	383 (151)	342 (135)	312 (123)	287 (113)	279 (110)		
25 (10)	703 (277)	695 (274)	635 (250)	533 (210)	459 (181)	403 (159)	360 (142)	327 (129)	299 (118)	284 (112)		
12 (5)	711 (280)	701 (276)	693 (273)	614 (242)	520 (205)	452 (178)	401 (158)	360 (142)	330 (130)	294 (116)		

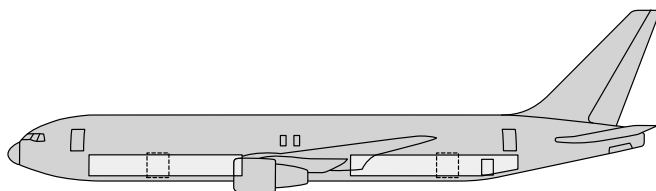
* 横断カーゴネットが設置された場合、貨物の最大長は 520cm(205inch) に制限される

● Package size table (AFT)

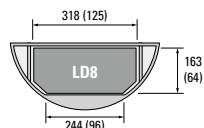
1 cm (inch)

Height	Width											
	12 (5)	25 (10)	38 (15)	50 (20)	63 (25)	76 (30)	89 (35)	101 (40)	114 (45)	122 (48)		
	Length											
86 (34)	226 (89)	195 (77)	167 (66)	147 (58)	132 (52)	(*)	(*)	(*)	(*)	(*)		
81 (32)	314 (124)	274 (108)	236 (93)	208 (82)	182 (72)	162 (64)	144 (57)	132 (52)	124 (49)	124 (49)		
76 (30)	406 (160)	355 (140)	312 (123)	279 (110)	251 (99)	226 (89)	205 (81)	190 (75)	177 (70)	170 (67)		
71 (28)	447 (176)	386 (153)	337 (133)	299 (118)	266 (105)	238 (94)	215 (85)	198 (78)	185 (73)	177 (70)		
66 (26)	510 (201)	434 (171)	375 (148)	330 (130)	294 (116)	264 (104)	238 (94)	218 (86)	203 (80)	193 (76)		
60 (24)	579 (228)	480 (189)	411 (162)	360 (142)	320 (126)	287 (113)	259 (102)	236 (93)	220 (87)	208 (82)		
55 (22)	627 (247)	523 (206)	449 (177)	386 (152)	340 (134)	304 (120)	274 (108)	251 (99)	233 (92)	223 (88)		
50 (20)	698 (275)	571 (225)	485 (191)	421 (166)	373 (147)	325 (128)	294 (116)	266 (105)	246 (97)	233 (92)		
45 (18)	858 (338)	614 (242)	523 (206)	447 (176)	393 (155)	342 (130)	309 (121)	281 (111)	259 (102)	246 (97)		
40 (16)	861 (339)	673 (265)	558 (220)	477 (188)	416 (164)	363 (143)	325 (128)	294 (116)	269 (106)	254 (100)		
35 (14)	863 (340)	744 (293)	604 (238)	510 (201)	441 (174)	388 (153)	340 (134)	307 (121)	281 (111)	264 (104)		
30 (12)	866 (341)	858 (338)	642 (253)	538 (212)	462 (182)	406 (160)	363 (143)	330 (130)	302 (119)	271 (107)		
25 (10)	871 (343)	861 (339)	693 (273)	574 (226)	482 (190)	421 (166)	375 (148)	337 (133)	309 (122)	279 (110)		
12 (5)	876 (345)	863 (340)	855 (337)	680 (268)	561 (221)	477 (188)	414 (163)	365 (144)	332 (130)	304 (120)		

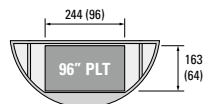
*1 異なる長さの搭載物も、斜めに傾けなければ搭載することはできない。
* 横断カーゴネットが設置された場合、貨物の最大長は 703cm(277inch) に制限される。



Container



Pallet



● Cargo door dimensions

| cm (inch) |

Name of CGO Door	Door Dimension Width × Height
FWD CGO Door	178 × 175 (70 × 69) / 300ER 340 × 175 (134 × 69)
AFT CGO Door	178 × 175 (70 × 69)
BULK CGO Door	97 × 114 (38 × 45)

● Maximum Number of ULD

Compartment	ULD			
FWD	300	8 Containers	300ER	8 Containers / 4 Pallets
AFT		7 Containers		7 Containers
TOTAL		15 Containers		15 Containers / 4 Pallets

● Weight Limitation

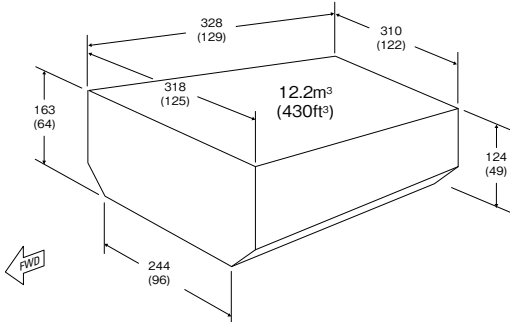
Compartment	Maximum Weight of Loading	Floor Limitation
FWD	14,152kg (31,200Lbs)	977kg/m ² (200Lbs/ft ²)
AFT	11,747kg (25,900Lbs)	977kg/m ² (200Lbs/ft ²)
BULK	2,925kg (6,450Lbs)	732kg/m ² (150Lbs/ft ²)

* 貨物室毎の最大重量のため、航空機1機あたりの最大重量ではありません。
 * 航空機1機あたりの最大重量は、運航路線や天候等により異なりますので営業担当者までお問い合わせください。

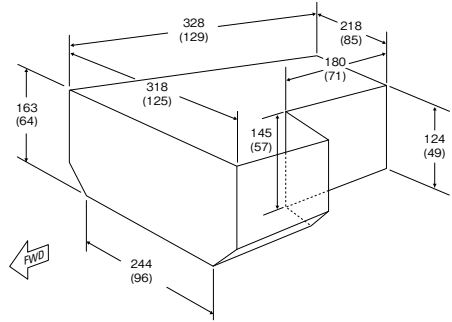
■ Bulk Comp't dimension

1 cm (inch)

<~JA618A>



<~JA619A~>

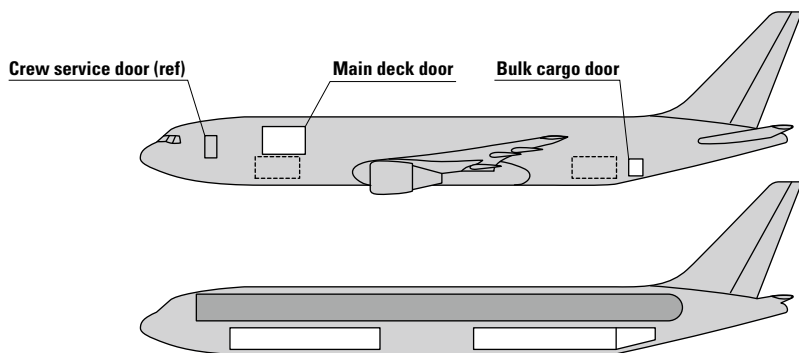


● Package size table (BULK)

1 cm (inch)

		Width						
		13 (5)	25 (10)	51 (20)	76 (30)	89 (35)	91 (36)	93 (36.6)
		Length						
Height	120 (47.2)	302 (119)	—	—	—	—	—	—
	118 (46.6)	302 (119)	302 (119)	—	—	—	—	—
	116 (45.5)	302 (119)	302 (119)	302 (119)	—	—	—	—
	107 (42.0)	302 (119)	302 (119)	302 (119)	302 (119)	302 (119)	—	—
	91 (35.7)	302 (119)	302 (119)	302 (119)	302 (119)	302 (119)	—	—
	51 (20.0)	302 (119)	302 (119)	302 (119)	302 (119)	302 (119)	302 (119)	—
	25 (10.0)	302 (119)	302 (119)	302 (119)	302 (119)	302 (119)	302 (119)	—
	13 (5.0)	302 (119)	302 (119)	302 (119)	302 (119)	302 (119)	302 (119)	302 (119)

3

BOEING 767-300, F/BCF

● Cargo door dimensions

| cm (inch) |

Name of CGO Door	Door Dimension Width × Height
Main deck CGO Door	340 × 262 (134 × 103)
FWD CGO Door	340 × 170 (134 × 67)
AFT CGO Door	340 × 170 (134 × 67) / BCF 178 × 175 (70 × 69)
BULK CGO Door	97 × 114 (38 × 45)

● Maximum Number of ULD

Compartment	ULD	
MAIN	300F 22 Pallets (Side by side ver)	300BCF 22 Pallets (Side by side ver)
FWD	8 Containers / 4 Pallets	8 Containers / 4 Pallets
AFT	7 Containers / 3 Pallets	7 Containers
TOTAL	15 Containers / 29 Pallets	15 Containers / 26 Pallets

● Weight Limitation

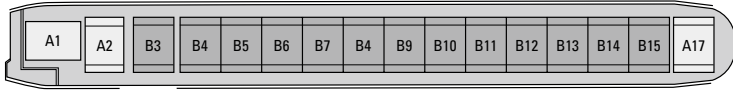
Compartment	Maximum Weight of Loading	Floor Limitation
MAIN	24,734kg (54,530Lbs)	1,221kg/m ² (250Lbs/ft ²)
FWD	20,411kg (45,000Lbs)	977kg/m ² (200Lbs/ft ²)
AFT	17,758kg (39,150Lbs)	977kg/m ² (200Lbs/ft ²)
BULK	2,925kg (6,450Lbs)	732kg/m ² (150Lbs/ft ²)

* 貨物室毎の最大重量のため、航空機 1 機あたりの最大重量ではありません。

* 航空機 1 機あたりの最大重量は、運航路線や天候等により異なりますので営業担当者までお問い合わせください。

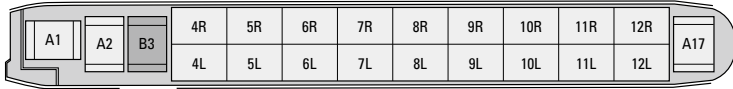
■ Main Deck

Transverse



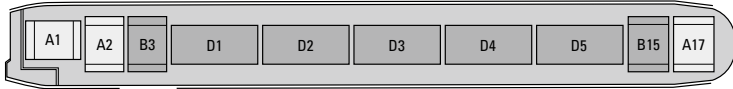
*ポジションコードはB6FとBCFで異なります。

Side By Side



*ポジションコードはB6FとBCFで異なります。

Container Load



*ポジションコードはB6FとBCFで異なります。

■ Lower Deck

Container

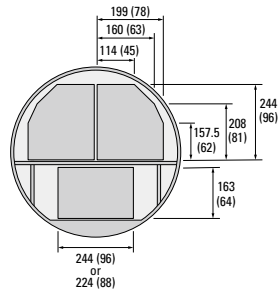
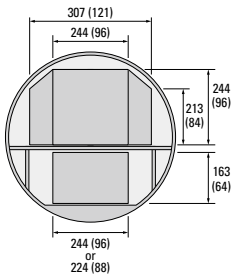


*ポジションコードはB6FとBCFで異なります。

Pallet

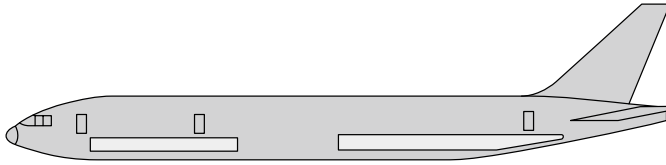


*ポジションコードはB6FとBCFで異なります。
*BCFでは、31P・32P・41PへのPalletの搭載はできません。

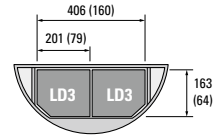
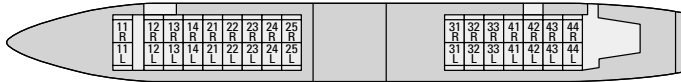


4

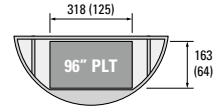
BOEING 777-200



Container



Pallet



● Cargo door dimensions

1 cm (inch) ↓

Name of CGO Door	Door Dimension Width × Height
FWD CGO Door	269 × 170 (106 × 67)
AFT CGO Door	〈DOM〉 178 × 170 (70 × 67)/ 200ER 269 × 170 (106 × 67)
BULK CGO Door	91 × 114 (36 × 45)

● Maximum Number of ULD

Compartment	ULD	
FWD	200 18 Containers / 6 Pallets	200ER 18 Containers / 6 Pallets
AFT	14 Containers / 〈INT〉 4 Pallets	10 Containers / 〈INT〉 3 Pallets
TOTAL	32 Containers / 〈INT〉 10 Pallets	28 Containers / 〈INT〉 9 Pallets

● Weight Limitation

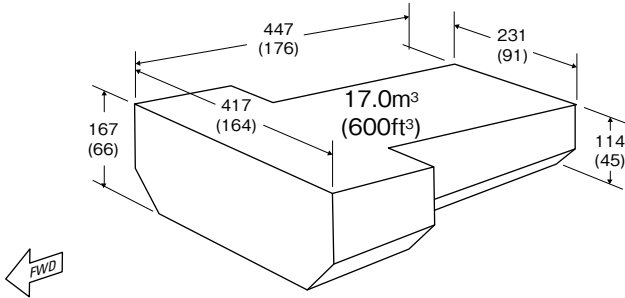
Compartment	Maximum Weight of Loading	Floor Limitation
FWD	30,617kg (67,500Lbs)	977kg/m ² (200Lbs/ft ²)
AFT	22,226kg (49,000Lbs)	977kg/m ² (200Lbs/ft ²)
BULK	4,082kg (9,000Lbs)	732kg/m ² (150Lbs/ft ²)

* 貨物室毎の最大重量のため、航空機 1 機あたりの最大重量ではありません。

* 航空機 1 機あたりの最大重量は、運航路線や天候等により異なりますので営業担当者までお問い合わせください。

■ Bulk Comp't dimension

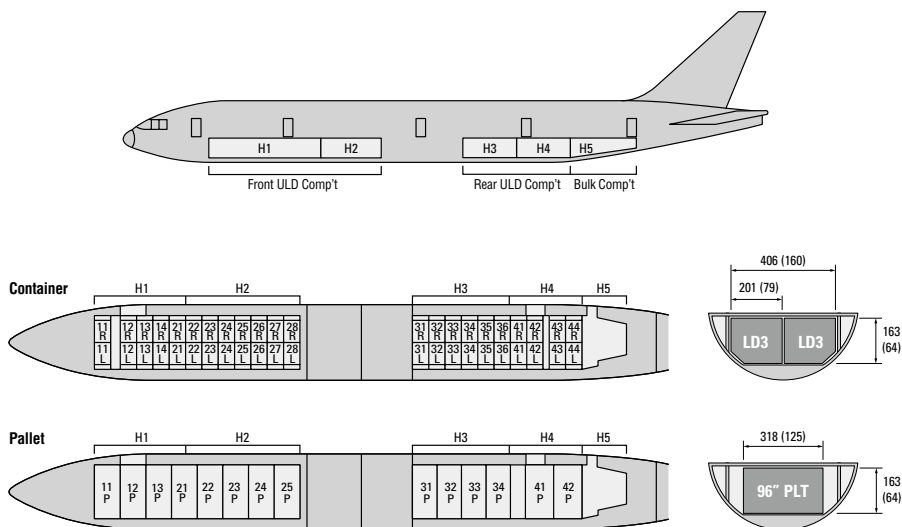
1 cm (inch)



● Package size table (BULK)

1 cm (inch)

		Width					
		12 (5)	25 (10)	38 (15)	50 (20)	63 (25)	84 (33.2)
		Length					
Height	101 (40)	429 (169)	429 (169)	391 (154)	360 (142)	337 (133)	312 (123)
	91 (36)	429 (169)	429 (169)	408 (161)	373 (147)	347 (137)	325 (128)
	81 (32)	429 (169)	429 (169)	429 (169)	391 (154)	363 (143)	337 (133)
	71 (28)	429 (169)	429 (169)	429 (169)	411 (162)	381 (150)	347 (137)
	60 (24)	429 (169)	429 (169)	429 (169)	411 (162)	381 (150)	347 (137)
	50 (20)	429 (169)	429 (169)	429 (169)	411 (162)	381 (150)	347 (137)
	40 (16)	429 (169)	429 (169)	429 (169)	411 (162)	381 (150)	347 (137)
	30 (12)	429 (169)	429 (169)	429 (169)	411 (162)	381 (150)	347 (137)
	20 (8)	429 (169)	429 (169)	429 (169)	411 (162)	381 (150)	347 (137)
	10 (4)	429 (169)	429 (169)	429 (169)	411 (162)	381 (150)	347 (137)



● Cargo door dimensions

I cm (inch) I

Name of CGO Door	Door Dimension Width × Height
FWD CGO Door	269 × 170 (106 × 67)
AFT CGO Door	300 178 × 170 (70 × 67) / 300ER 269 × 170 (106 × 67)
BULK CGO Door	91 × 114 (36 × 45)

● Maximum Number of ULD

Compartment	ULD	
FWD	300 24 Containers / 8 Pallets	300ER 24 Containers / 8 Pallets
AFT	20 Containers	20 Containers / 6 Pallets
TOTAL	44 Containers / 8 Pallets	44 Containers / 14 Pallets

● Weight Limitation

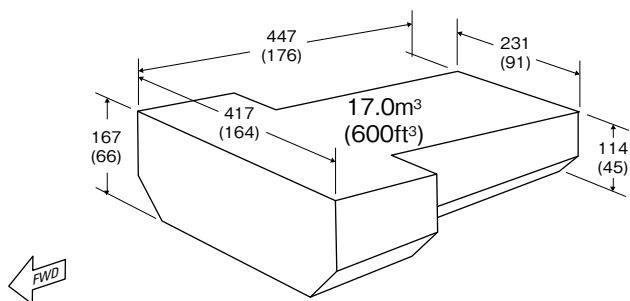
Compartment	Maximum Weight of Loading	Floor Limitation
FWD	40,823kg (90,000Lbs)	977kg/m ² (200Lbs/ft ²)
AFT	31,751kg (70,000Lbs)	977kg/m ² (200Lbs/ft ²)
BULK	4,082kg (9,000Lbs)	732kg/m ² (150Lbs/ft ²)

* 貨物室毎の最大重量のため、航空機1機あたりの最大重量ではありません。

* 航空機1機あたりの最大重量は、運航路線や天候等により異なりますので営業担当者までお問い合わせください。

■ Bulk Comp't dimension

1 cm (inch)



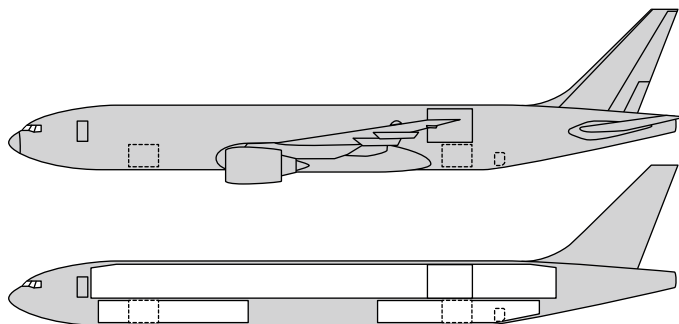
● Package size table (BULK)

1 cm (inch)

		Width					
		12 (5)	25 (10)	38 (15)	50 (20)	63 (25)	84 (33.2)
Height		Length					
		101 (40)	429 (169)	429 (169)	391 (154)	360 (142)	337 (133)
91 (36)	429 (169)	429 (169)	408 (161)	373 (147)	347 (137)	325 (128)	
81 (32)	429 (169)	429 (169)	429 (169)	391 (154)	363 (143)	337 (133)	
71 (28)	429 (169)	429 (169)	429 (169)	411 (162)	381 (150)	347 (137)	
60 (24)	429 (169)	429 (169)	429 (169)	411 (162)	381 (150)	347 (137)	
50 (20)	429 (169)	429 (169)	429 (169)	411 (162)	381 (150)	347 (137)	
40 (16)	429 (169)	429 (169)	429 (169)	411 (162)	381 (150)	347 (137)	
30 (12)	429 (169)	429 (169)	429 (169)	411 (162)	381 (150)	347 (137)	
20 (8)	429 (169)	429 (169)	429 (169)	411 (162)	381 (150)	347 (137)	
10 (4)	429 (169)	429 (169)	429 (169)	411 (162)	381 (150)	347 (137)	

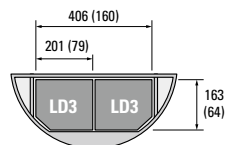
* BOEING 777-300ERは、国際線使用機材です。
BOEING 777-300ER is used only for international flight.

6 BOEING 777F

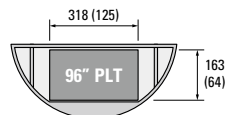


■ Lower Deck

Container



Pallet



● Cargo door dimensions

1 cm (inch)

Name of CGO Door	Door Dimension Width × Height
Main deck CGO Door	373 × 305 (147 × 120)
FWD CGO Door	259 × 170 (102 × 67)
AFT CGO Door	259 × 170 (102 × 67)
BULK CGO Door	84 × 112 (33 × 44)

● Maximum Number of ULD

Compartment	ULD
MAIN	27 Pallets (side by side ver)
FWD	18 Containers / 6 Pallets
AFT	14 Containers / 4 Pallets
TOTAL	32 Containers / 37 Pallets

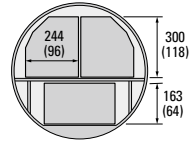
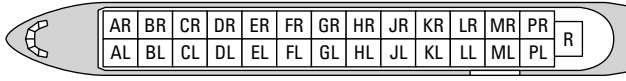
● Weight Limitation

Compartment	Maximum Weight of Loading	Floor Limitation
MAIN	-	1,464kg/m ² (300lbs/ft ²)
FWD	30,617kg (67,500lbs)	976kg/m ² (200lbs/ft ²)
AFT	22,226kg (49,000lbs)	976kg/m ² (200lbs/ft ²)
BULK	4,082kg (9,000lbs)	732kg/m ² (150lbs/ft ²)

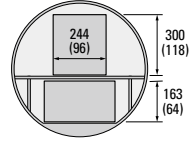
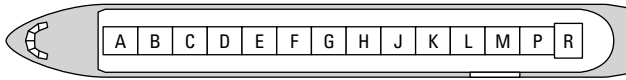
* 貨物室毎の最大重量のため、航空機 1 機あたりの最大重量ではありません。
* 航空機 1 機あたりの最大重量は、運航路線や天候等により異なりますので営業担当者までお問い合わせください。

■ Main Deck

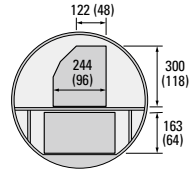
Side by side (PMC or PAG)



Center load (PMC)

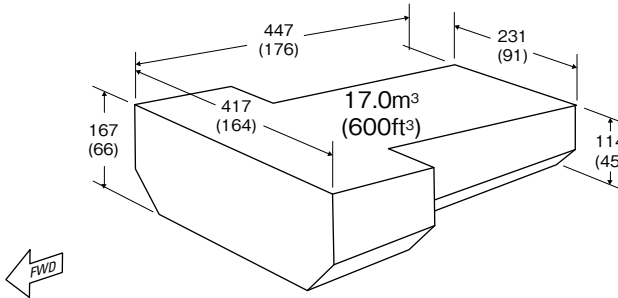


Center load (PRA or PGA)



■ Bulk Comp't dimension

1 cm (inch) |

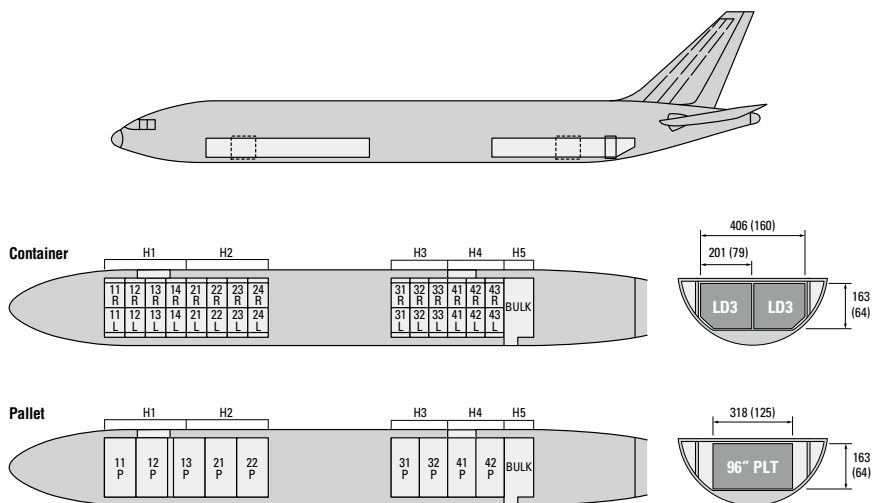


● Package size table (BULK)

1 cm (inch) |

		Width					
		12(5)	25(10)	38(15)	50(20)	63(25)	84(33.2)
		Length					
Height	101(40)	429(169)	429(169)	391(154)	360(142)	337(133)	312(123)
	91(36)	429(169)	429(169)	408(161)	373(147)	347(137)	325(128)
	81(32)	429(169)	429(169)	429(169)	391(154)	363(143)	337(133)
	71(28)	429(169)	429(169)	429(169)	411(162)	381(150)	347(137)
	60(24)	429(169)	429(169)	429(169)	411(162)	381(150)	347(137)
	50(20)	429(169)	429(169)	429(169)	411(162)	381(150)	347(137)
	40(16)	429(169)	429(169)	429(169)	411(162)	381(150)	347(137)
	30(12)	429(169)	429(169)	429(169)	411(162)	381(150)	347(137)
	20(8)	429(169)	429(169)	429(169)	411(162)	381(150)	347(137)
10(4)	429(169)	429(169)	429(169)	411(162)	381(150)	347(137)	

7 BOEING 787-8



● Cargo door dimensions

1 cm (inch) |

Name of CGO Door	Door Dimension Width × Height
FWD CGO Door	269 × 170 (106 × 67)
AFT CGO Door	269 × 170 (106 × 67)
BULK CGO Door	102 × 114 (40 × 45)

● Maximum Number of ULD

Compartment	ULD
FWD	16 Containers / 5 Pallets
AFT	12 Containers / 4 Pallets
TOTAL	28 Containers / 9 Pallets

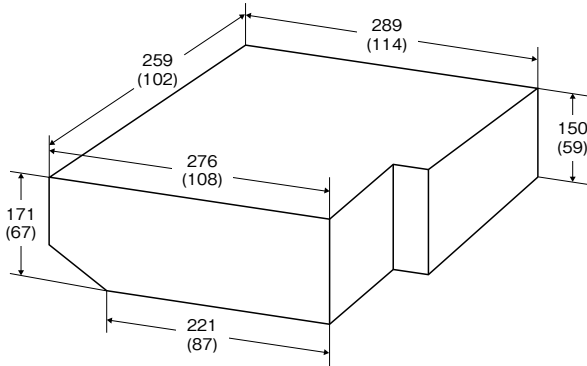
● Weight Limitation

Compartment	Maximum Weight of Loading	Floor Limitation
FWD	22,906kg (50,500Lbs)	977kg/m ² (200Lbs/ft ²)
AFT	18,534kg (40,860Lbs)	977kg/m ² (200Lbs/ft ²)
BULK	2,735kg (6,030Lbs)	732kg/m ² (150Lbs/ft ²)

* 貨物室毎の最大重量のため、航空機1機あたりの最大重量ではありません。
* 航空機1機あたりの最大重量は、運航路線や天候等により異なりますので営業担当者までお問い合わせください。

■ Bulk Comp't dimension

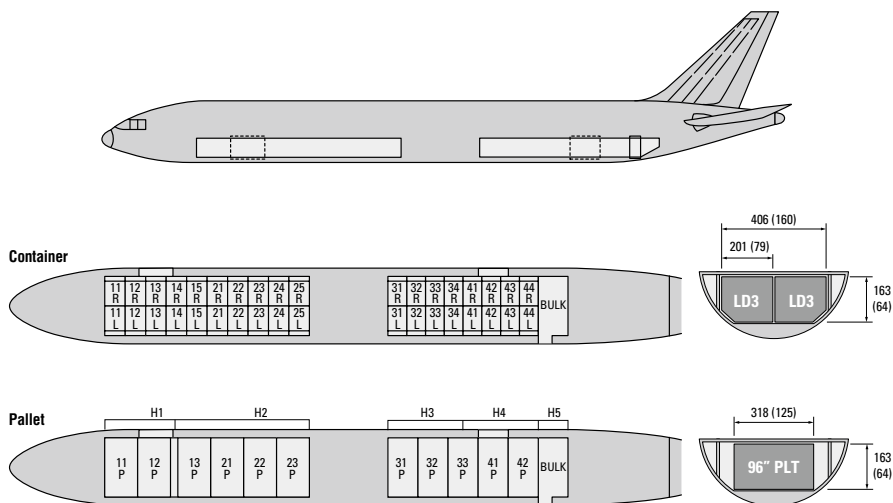
1 cm (inch)



● Package size table (BULK)

1 cm (inch)

		Width						
		12 (5)	25 (10)	38 (15)	50 (20)	63 (25)	76 (30)	88 (35)
		Length						
Height	111 (45)	304 (120)	304 (120)	292 (115)	279 (110)	266 (105)	254 (100)	241 (95)
	101 (40)	317 (125)	304 (120)	292 (115)	279 (110)	266 (105)	254 (100)	241 (95)
	91 (36)	317 (125)	304 (120)	292 (115)	279 (110)	266 (105)	254 (100)	241 (95)
	81 (32)	317 (125)	304 (120)	292 (115)	279 (110)	266 (105)	254 (100)	241 (95)
	71 (28)	330 (130)	317 (125)	304 (120)	292 (115)	279 (110)	266 (105)	254 (100)
	60 (24)	330 (130)	317 (125)	304 (120)	292 (115)	279 (110)	266 (105)	254 (100)
	50 (20)	330 (130)	317 (125)	317 (125)	304 (120)	292 (115)	279 (110)	266 (105)
	40 (16)	342 (135)	330 (130)	317 (125)	304 (120)	292 (115)	279 (110)	266 (105)
	30 (12)	342 (135)	342 (135)	330 (130)	317 (125)	304 (120)	292 (115)	279 (110)
	20 (8)	355 (140)	342 (135)	330 (130)	317 (125)	304 (120)	304 (120)	292 (115)
10 (4)	368 (145)	355 (140)	342 (135)	330 (130)	317 (125)	304 (120)	292 (115)	



● Cargo door dimensions

I cm (inch) I

Name of CGO Door	Door Dimension Width × Height
FWD CGO Door	269 × 170 (106 × 67)
AFT CGO Door	269 × 170 (106 × 67)
BULK CGO Door	102 × 114 (40 × 45)

● Maximum Number of ULD

Compartment	ULD
FWD	20 Containers / 6 Pallets
AFT	16 Containers / 5 Pallets
TOTAL	36 Containers / 11 Pallets

● Weight Limitation

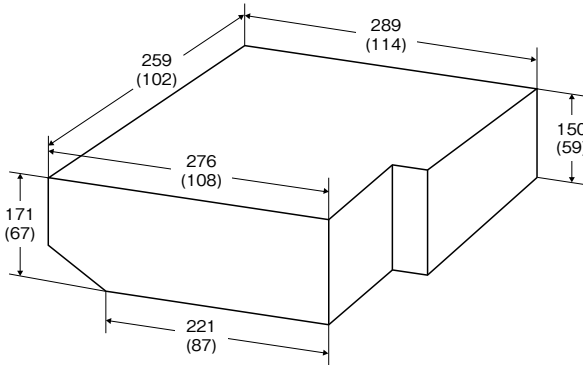
Compartment	Maximum Weight of Loading	Floor Limitation
FWD	32,005kg (70,560Lbs)	977kg/m ² (200Lbs/ft ²)
AFT	25,655kg (56,560Lbs)	977kg/m ² (200Lbs/ft ²)
BULK	2,735kg (6,030Lbs)	732kg/m ² (150Lbs/ft ²)

* 貨物室毎の最大重量のため、航空機1機あたりの最大重量ではありません。

* 航空機1機あたりの最大重量は、運航路線や天候等により異なりますので営業担当者までお問い合わせください。

■ Bulk Comp't dimension

1 cm (inch)

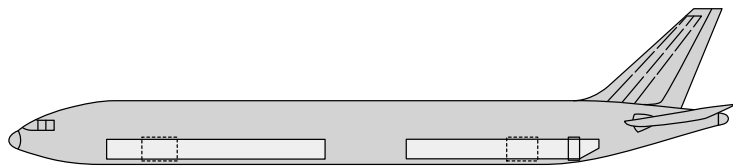


● Package size table (BULK)

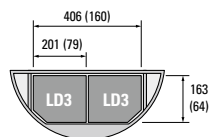
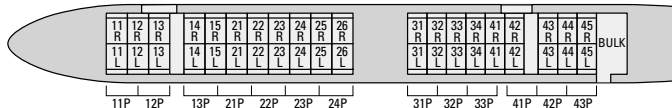
1 cm (inch)

		Width						
		12 (5)	25 (10)	38 (15)	50 (20)	63 (25)	76 (30)	88 (35)
		Length						
Height	111 (45)	304 (120)	304 (120)	292 (115)	279 (110)	266 (105)	254 (100)	241 (95)
	101 (40)	317 (125)	304 (120)	292 (115)	279 (110)	266 (105)	254 (100)	241 (95)
	91 (36)	317 (125)	304 (120)	292 (115)	279 (110)	266 (105)	254 (100)	241 (95)
	81 (32)	317 (125)	304 (120)	292 (115)	279 (110)	266 (105)	254 (100)	241 (95)
	71 (28)	330 (130)	317 (125)	304 (120)	292 (115)	279 (110)	266 (105)	254 (100)
	60 (24)	330 (130)	317 (125)	304 (120)	292 (115)	279 (110)	266 (105)	254 (100)
	50 (20)	330 (130)	317 (125)	317 (125)	304 (120)	292 (115)	279 (110)	266 (105)
	40 (16)	342 (135)	330 (130)	317 (125)	304 (120)	292 (115)	279 (110)	266 (105)
	30 (12)	342 (135)	342 (135)	330 (130)	317 (125)	304 (120)	292 (115)	279 (110)
	20 (8)	355 (140)	342 (135)	330 (130)	317 (125)	304 (120)	304 (120)	292 (115)
10 (4)	368 (145)	355 (140)	342 (135)	330 (130)	317 (125)	304 (120)	292 (115)	

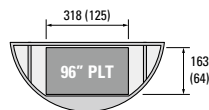
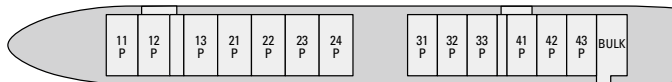
9 BOEING 787-10



Container



Pallet



● Cargo door dimensions

1 cm (inch) ↓

Name of CGO Door	Door Dimension Width × Height
FWD CGO Door	269 × 170 (106 × 67)
AFT CGO Door	269 × 170 (106 × 67)
BULK CGO Door	102 × 156 (40.1 × 61.5)

● Maximum Number of ULD

Compartment	ULD
FWD	22 Containers / 7 Pallets
AFT	18 Containers / 6 Pallets
TOTAL	40 Containers / 13 Pallets

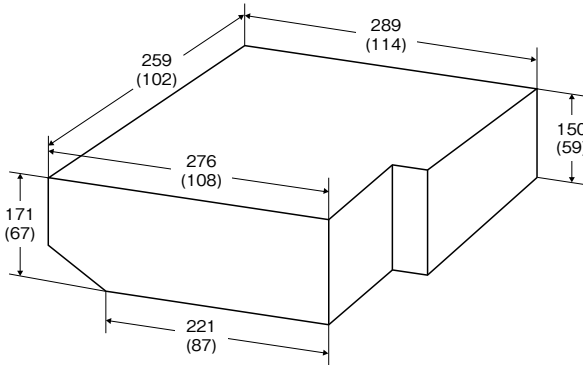
● Weight Limitation

Compartment	Maximum Weight of Loading	Floor Limitation
FWD	36,967kg (81,500lb)	977kg/m ² (200lbs/ft ²)
AFT	30,617kg (67,500lb)	977kg/m ² (200lbs/ft ²)
BULK	2,735kg (6,030lb)	732kg/m ² (150lbs/ft ²)

* 貨物室毎の最大重量のため、航空機 1 機あたりの最大重量ではありません。
* 航空機 1 機あたりの最大重量は、運航路線や天候等により異なりますので営業担当者までお問い合わせください。

■ Bulk Comp't dimension

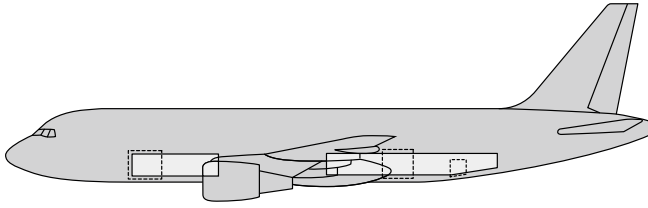
1 cm (inch)



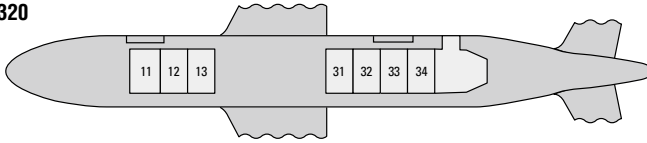
● Package size table (BULK)

1 cm (inch)

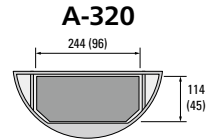
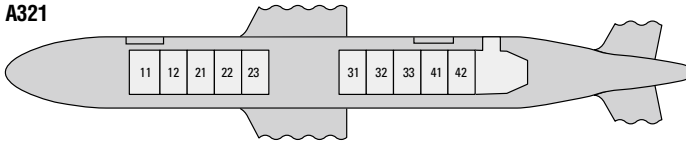
		Width						
		12 (5)	25 (10)	38 (15)	50 (20)	63 (25)	76 (30)	88 (35)
		Length						
Height	111 (45)	304 (120)	304 (120)	292 (115)	279 (110)	266 (105)	254 (100)	241 (95)
	101 (40)	317 (125)	304 (120)	292 (115)	279 (110)	266 (105)	254 (100)	241 (95)
	91 (36)	317 (125)	304 (120)	292 (115)	279 (110)	266 (105)	254 (100)	241 (95)
	81 (32)	317 (125)	304 (120)	292 (115)	279 (110)	266 (105)	254 (100)	241 (95)
	71 (28)	330 (130)	317 (125)	304 (120)	292 (115)	279 (110)	266 (105)	254 (100)
	60 (24)	330 (130)	317 (125)	304 (120)	292 (115)	279 (110)	266 (105)	254 (100)
	50 (20)	330 (130)	317 (125)	317 (125)	304 (120)	292 (115)	279 (110)	266 (105)
	40 (16)	342 (135)	330 (130)	317 (125)	304 (120)	292 (115)	279 (110)	266 (105)
	30 (12)	342 (135)	342 (135)	330 (130)	317 (125)	304 (120)	292 (115)	279 (110)
	20 (8)	355 (140)	342 (135)	330 (130)	317 (125)	304 (120)	304 (120)	292 (115)
10 (4)	368 (145)	355 (140)	342 (135)	330 (130)	317 (125)	304 (120)	292 (115)	



A320



A321



A-321

● Cargo door dimensions

| cm (inch) |

Name of CGO Door	Door Dimension Width × Height
FWD CGO Door	182 × 119 (71.5 × 46.9)
AFT CGO Door	182 × 119 (71.5 × 46.9)
BULK CGO Door	95 × 77 (37.6 × 30)

● Maximum Number of ULD

Compartment	ULD			
FWD	A320	3 Containers	A321	5 Containers
AFT		4 Containers		5 Containers
TOTAL		7 Containers		10 Containers

● Weight Limitation

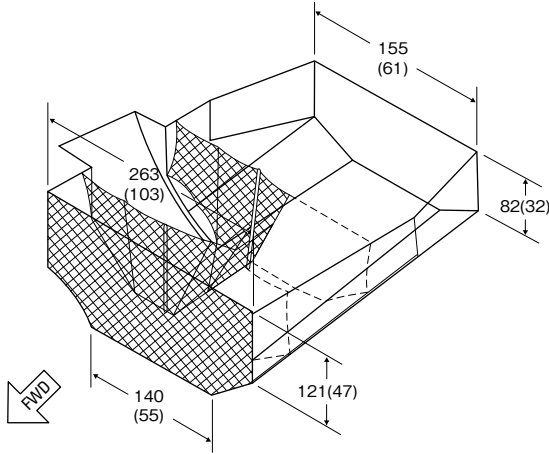
Compartment	Maximum Weight of Loading		Floor Limitation
	A320	A321	
FWD	3,402kg (7,500Lbs)	5,070kg (12,500Lbs)	488kg/m ² (100Lbs/ft ²)
AFT	4,536kg (10,000Lbs)	5,670kg (12,500Lbs)	488kg/m ² (100Lbs/ft ²)
BULK	1,497kg (3,300Lbs)	1,497kg (3,300Lbs)	732kg/m ² (150Lbs/ft ²)

* 貨物室毎の最大重量のため、航空機 1 機あたりの最大重量ではありません。

* 航空機 1 機あたりの最大重量は、運航路線や天候等により異なりますので営業担当者までお問い合わせください。

■ Bulk Comp't dimension

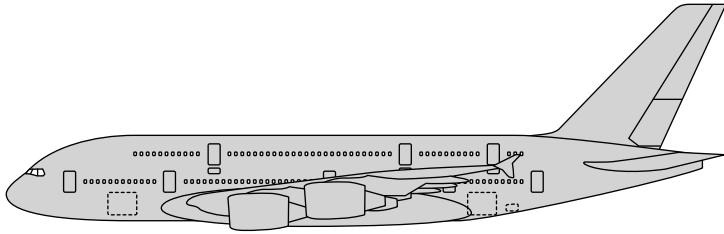
1 cm (inch) |



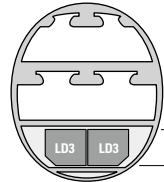
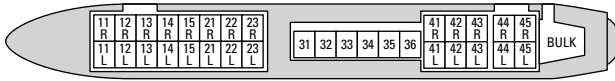
● Package size table (BULK)

1 cm (inch) |

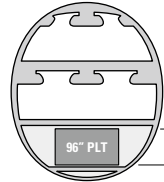
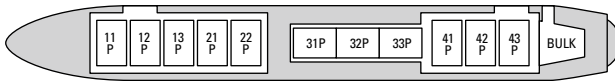
		Width								
		10(3.9)	20(7.8)	30(11.8)	40(15.7)	50(19.6)	60(23.6)	70(27.5)	80(31.4)	85(33.4)
		Length								
Height	10(3.9)	323 (127.0)	323 (127.0)	321 (126.0)	318 (125.1)	316 (124.4)	310 (122.0)	303 (119.2)	277 (109.0)	268 (105.5)
	20(7.8)	323 (127.0)	323 (127.0)	321 (126.0)	318 (125.1)	315 (124.0)	307 (120.8)	296 (116.5)	273 (107.4)	265 (104.3)
	30(11.8)	323 (127.0)	321 (126.0)	317 (124.8)	314 (123.6)	304 (119.6)	295 (116.1)	278 (109.4)	260 (102.3)	254 (100.0)
	40(15.7)	319 (125.6)	315 (124.2)	311 (122.4)	301 (118.5)	290 (114.1)	282 (111.0)	262 (103.1)	248 (97.6)	243 (95.6)
	50(19.6)	311 (122.4)	309 (121.6)	291 (114.5)	281 (110.6)	271 (106.6)	257 (101.1)	242 (95.2)	231 (90.9)	228 (89.7)
	60(23.6)	290 (114.1)	273 (107.4)	259 (101.9)	247 (97.2)	234 (92.1)	224 (88.1)	217 (85.4)	211 (83.0)	208 (81.8)
	65(25.5)	270 (106.2)	257 (101.1)	241 (94.8)	229 (90.1)	217 (85.4)	208 (81.8)	202 (79.5)	198 (77.9)	193 (75.9)



Container



Pallet



● Cargo door dimensions

| cm (inch) |

Name of CGO Door	Door Dimension Width × Height
FWD CGO Door	311 × 175 (122 × 68)
AFT CGO Door	279 × 175 (109 × 68)
BULK CGO Door	113 × 99 (44 × 38)

● Maximum Number of ULD

Compartment	ULD
FWD	16 Containers / 5 Pallets
AFT	16 Containers / 6 Pallets
TOTAL	32 Containers / 11 Pallets

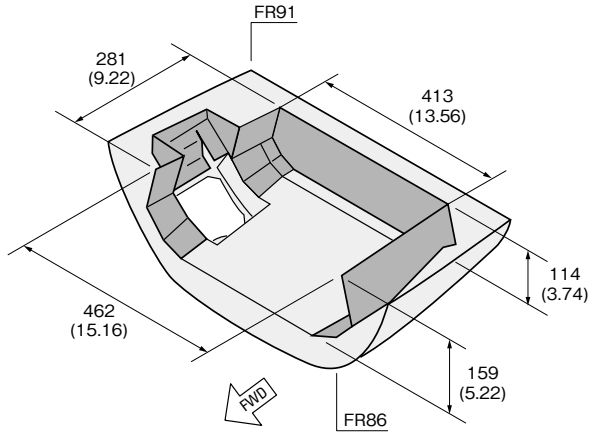
● Weight Limitation

Compartment	Maximum Weight of Loading	Floor Limitation
FWD	36,967kg (81,500lb)	659kg/m ² (135lbs/ft ²)
AFT	30,617kg (67,500lb)	659kg/m ² (135lbs/ft ²)
BULK	2,735kg (6,030lb)	732kg/m ² (150lbs/ft ²)

* 貨物室毎の最大重量のため、航空機 1 機あたりの最大重量ではありません。
* 航空機 1 機あたりの最大重量は、運航路線や天候等により異なりますので営業担当者までお問い合わせください。

■ Bulk Comp't dimension

1 cm (inch)



● Package size table (BULK)

1 cm (inch)

SECTION 52

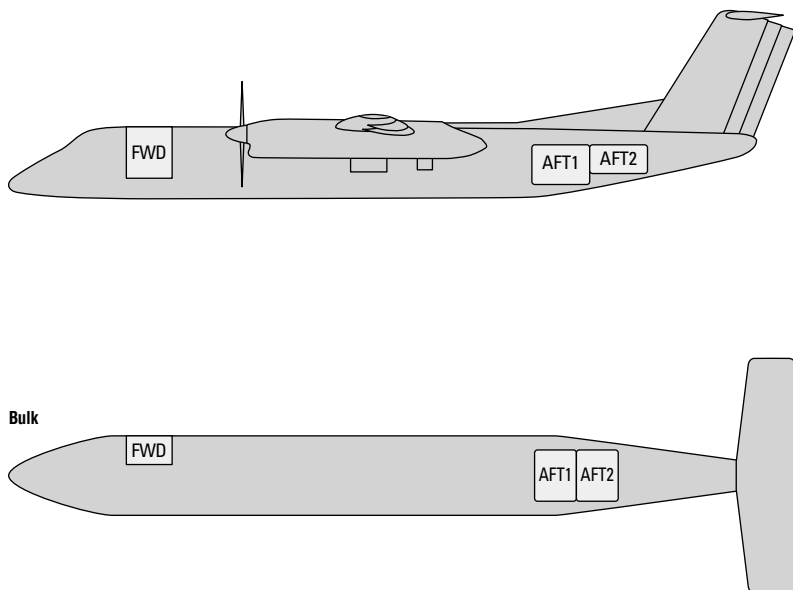
		Width											
		10 (3)	15 (5)	20 (7)	25 (9)	30 (11)	35 (13)	40 (15)	45 (17)	50 (19)	55 (21)	60 (23)	65 (25)
Height		Length											
		up to 60 (23)	294 (115)	289 (113)	284 (112)	280 (110)	275 (108)	271 (106)	266 (105)	262 (103)	258 (101)	254 (100)	250 (98)

SECTION 53

		Width											
		10 (3)	15 (5)	20 (7)	25 (9)	30 (11)	35 (13)	40 (15)	45 (17)	50 (19)	55 (21)	60 (23)	
Height		Length											
		up to 60 (23)	320 (126)	319 (125)	318 (125)	318 (125)	318 (125)						

※ SECTION 51 は最大搭載重量制限を超えない範囲で搭載する。

12 DHC8-400



● Cargo door dimensions

1 cm (inch) |

Name of CGO Door	Door Dimension Width × Height
FWD CGO Door	61 × 137 (24 × 54)
AFT CGO Door	127 × 152 (50 × 60)

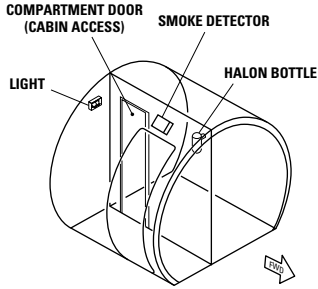
● Weight Limitation

Compartment	Maximum Weight of Loading	Floor Limitation
FWD	407kg (904Lbs)	610kg/m ² (125Lbs/ft ²)
AFT-1	681kg (1,500Lbs)	610kg/m ² (125Lbs/ft ²)
AFT-2	454kg (1,000Lbs)	366kg/m ² (75Lbs/ft ²)

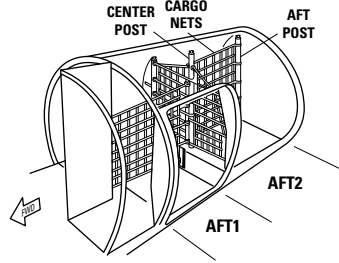
* 貨物室毎の最大重量のため、航空機 1 機あたりの最大重量ではありません。

* 航空機 1 機あたりの最大重量は、運航路線や天候等により異なりますので営業担当者までお問い合わせください。

■ FWD CARGO COMPARTMENT



■ AFT CARGO COMPARTMENT



● Package size table (FWD)

1 cm (inch)

		Width					
		10 (4)	20 (8)	30 (12)	40 (16)	50 (20)	60 (24)
		Length					
Height	135 (56)	60 (24)	60 (24)	60 (24)	60 (24)	60 (24)	60 (24)
	130 (52)	60 (24)	60 (24)	60 (24)	60 (24)	60 (24)	60 (24)
	120 (48)	60 (24)	60 (24)	60 (24)	60 (24)	60 (24)	60 (24)
	110 (44)	72 (29)	67 (27)	61 (24)	60 (24)	60 (24)	60 (24)
	100 (40)	86 (34)	81 (32)	75 (30)	68 (27)	60 (24)	60 (24)
	90 (36)	99 (39)	94 (37)	88 (35)	81 (32)	73 (29)	60 (24)
	80 (32)	111 (44)	106 (42)	100 (40)	93 (37)	85 (34)	76 (30)
	70 (28)	122 (48)	117 (46)	111 (44)	104 (41)	96 (38)	87 (35)
	60 (24)	132 (52)	127 (50)	121 (48)	114 (45)	106 (42)	97 (39)
	50 (20)	141 (56)	136 (54)	130 (52)	123 (49)	115 (46)	106 (42)
	40 (16)	149 (59)	144 (57)	138 (55)	131 (52)	123 (49)	114 (45)
	30 (12)	156 (62)	151 (60)	145 (58)	138 (55)	130 (52)	121 (48)
	20 (8)	162 (64)	157 (62)	151 (60)	144 (57)	136 (54)	127 (50)
	10 (4)	167 (66)	162 (64)	156 (62)	149 (59)	141 (56)	132 (52)

13 DHC8-400

● Package size table (AFT-1)

I cm (inch) I

		Width											
		10	20	30	40	50	60	70	80	90	100	110	118
		(4)	(8)	(12)	(16)	(20)	(24)	(28)	(32)	(36)	(40)	(44)	(47)
		Length											
		138	125	125	125	125	125	125	125	125	125	125	125
Height	(55)	(50)	(50)	(50)	(50)	(50)	(50)	(50)	(50)	(50)	(50)	(50)	(50)
	130	125	125	125	125	125	125	125	125	125	125	125	125
	(52)	(50)	(50)	(50)	(50)	(50)	(50)	(50)	(50)	(50)	(50)	(50)	(50)
	120	125	125	125	125	125	125	125	125	125	125	125	125
	(48)	(50)	(50)	(50)	(50)	(50)	(50)	(50)	(50)	(50)	(50)	(50)	(50)
	110	125	125	125	125	125	125	125	125	125	125	125	125
	(44)	(50)	(50)	(50)	(50)	(50)	(50)	(50)	(50)	(50)	(50)	(50)	(50)
	100	131	126	125	125	125	125	125	125	125	125	125	125
	(40)	(52)	(50)	(50)	(50)	(50)	(50)	(50)	(50)	(50)	(50)	(50)	(50)
	90	144	139	131	126	125	125	125	125	125	125	125	125
	(36)	(57)	(55)	(52)	(50)	(50)	(50)	(50)	(50)	(50)	(50)	(50)	(50)
	80	156	151	145	138	136	125	125	125	125	125	125	125
	(32)	(62)	(60)	(58)	(55)	(52)	(50)	(50)	(50)	(50)	(50)	(50)	(50)
	70	167	162	156	149	141	132	125	125	125	125	125	125
(28)	(66)	(64)	(62)	(59)	(56)	(52)	(50)	(50)	(50)	(50)	(50)	(50)	
60	177	172	166	159	151	142	132	125	125	125	125	125	
(24)	(70)	(68)	(66)	(63)	(60)	(56)	(52)	(50)	(50)	(50)	(50)	(50)	
50	186	181	175	168	160	151	141	130	125	125	125	125	
(20)	(74)	(72)	(69)	(67)	(63)	(60)	(56)	(52)	(50)	(50)	(50)	(50)	
40	194	189	183	176	168	159	149	138	126	125	125	125	
(16)	(77)	(75)	(72)	(70)	(67)	(63)	(59)	(55)	(50)	(50)	(50)	(50)	
30	201	196	190	183	175	166	156	145	131	125	125	125	
(12)	(80)	(78)	(75)	(72)	(69)	(66)	(62)	(58)	(52)	(50)	(50)	(50)	
20	207	202	196	189	181	172	162	151	139	126	125	125	
(8)	(82)	(80)	(78)	(75)	(72)	(68)	(64)	(60)	(55)	(50)	(50)	(50)	
10	212	207	201	194	186	177	167	156	144	131	125	125	
(4)	(84)	(82)	(80)	(77)	(74)	(70)	(66)	(62)	(57)	(52)	(50)	(50)	

● Package size table (AFT-2)

1 cm (inch) |

		Width					
		10 (4)	20 (8)	30 (12)	40 (16)	50 (20)	60 (24)
		Length					
Height	110 (44)	120 (48)	120 (48)	120 (48)	120 (48)	120 (48)	120 (48)
	100 (40)	120 (48)	120 (48)	120 (48)	120 (48)	120 (48)	120 (48)
	90 (36)	124 (49)	120 (48)	120 (48)	120 (48)	120 (48)	120 (48)
	80 (32)	132 (52)	124 (49)	120 (48)	120 (48)	120 (48)	120 (48)
	70 (28)	140 (56)	132 (52)	124 (49)	120 (48)	120 (48)	120 (48)
	60 (24)	148 (59)	140 (56)	132 (52)	124 (49)	120 (48)	120 (48)
	50 (20)	156 (62)	148 (59)	140 (56)	132 (52)	124 (49)	120 (48)
	40 (16)	164 (65)	156 (62)	148 (59)	140 (56)	132 (52)	124 (49)
	30 (12)	172 (68)	164 (65)	156 (62)	148 (59)	140 (56)	132 (52)
	20 (8)	180 (71)	172 (68)	164 (65)	156 (62)	148 (59)	140 (56)
10 (4)	188 (74)	180 (71)	172 (68)	164 (65)	156 (62)	148 (59)	

UNIT LOAD DEVICE

CONTAINER

IATA ID Code (IATA Code)	Illustration	内容量： Int Volume: m ³ (ft ³)	自重： Tare Wt: kg(Lbs)	
	内寸： Internal Dimension: cm(inch)	外寸 L × W × H： External Dimension L × W × H: cm(inch)	搭載可能機種 Loadable Aircraft	重量制限 (自重含)： Weight Lim. Inc ULD Tare Wt: kg(Lbs)
DKH (AKH) (LD-3-46WF)		3.2 (113)	125 ~ 135 (276 ~ 298)	
		244 × 153 × 117 (96 × 60.4 × 46)	B777 B787 B767 A320 A321 A380	1,134 (2,500)
DC		143 × 95 (56 × 37)		
DKH (LD-3-45WF)		3.1 (109)	125 ~ 135 (276 ~ 298)	
		244 × 153 × 114 (96 × 60.4 × 45)	B777 B787 B767 A320 A321 A380	1,134 (2,500)
DC		147 × 95 (58 × 37)		
AKH (LD3- 45WF)		3.0(106)	111 (245)	
		215 × 148 × 144 (84.6 × 58.2 × 44.8)	B777 B787 B767 A320 A321 A380	1,134 (2,500)
DC		137 × 95 (54 × 37)		

*国際 IC (International) 国内 DC (Domestic)

IATA ID Code (IATA Code)	Illustration	内容量 : Int Volume: m ³ (ft ³)	自重 : Tare Wt: kg(Lbs)	
	内寸 : Internal Dimension: cm(inch)	外寸 L × W × H : External Dimension L × W × H: cm(inch)	搭載可能機種 Loadable Aircraft	重量制限 (自重含) : Weight Lim. Inc ULD Tare Wt: kg(Lbs)
AKH (LD3-45WF)		3.3(116)	95(209)	
		156 × 153 × 114 (61.5 × 60.4 × 45)	B777 B787 B767 A320 A321 A380	1,134 (2,500)
IC		137 × 105 (54 × 41)		
DKN (LD-3F)		3.8(134)	125 ~ 135 (276 ~ 298)	
		156 × 153 × 163 (61.5 × 60.4 × 64)	B777 B787 B767 A380	1,587 (3,500)
DC		143 × 141 (56 × 56)		
DKN (LD-3F) LIGHT WEIGHT TYPE		4.0(141)	113 (250)	
		156 × 153 × 163 (61.5 × 60.4 × 64)	B777 B787 B767 A380	1,587 (3,500)
DC		140 × 143 (55 × 56.3)		

*国際 IC (International) 国内 DC (Domestic)

UNIT LOAD DEVICE

CONTAINER

IATA ID Code (IATA Code)	Illustration	内容量 : Int Volume: m ³ (ft ³)	自重 : Tare Wt: kg(Lbs)	
	内寸 : Internal Dimension: cm(inch)	外寸 L × W × H : External Dimension L × W × H: cm(inch)	搭載可能機種	重量制限 (自重含) : Weight Lim. Inc ULD Tare Wt: kg(Lbs)
		ドアサイズ L × H : Door Size L × H: cm(inch)	Loadable Aircraft	
DKN (LD-3F) GOH		143 × 139 (56 × 55)	3.8(134)	162 (357)
			156 × 153 × 163 (61.5 × 60.4 × 64)	B777 B787 B767 A380
IC DC				
AKN (LD-3F) GOH		143 × 142 (56 × 56)	3.8 (134)	120 (242)
			156 × 153 × 163 (61.5 × 60.4 × 64)	B777 B787 B767 A380
IC DC				
AKE (LD-3) LIGHT WEIGHT TYPE		138 × 153 (54.3 × 60.4)	4.4 (156)	71 (157)
			156 × 153 × 163 (61.5 × 60.4 × 64)	B777 B787 B767 A380
IC				

*国際 IC (International) 国内 DC (Domestic)

IATA ID Code (IATA Code)	Illustration	内容量 : Int Volume: m ³ (ft ³)	自重 : Tare Wt: kg(Lbs)	
	内寸 : Internal Dimension: cm(inch)	外寸 L × W × H : External Dimension L × W × H: cm(inch)	搭載可能機種 Loadable Aircraft	重量制限 (自重含) : Weight Lim. Inc ULD Tare Wt: kg(Lbs)
DQP (LD-4F)		5.1 (180)	190 ~ 200 (419 ~ 441)	
		244 × 153 × 163 (96 × 60.4 × 64)	B777 B767	2,449 (5,400)
DC		231 × 139 (91 × 55)	B787	2,449 (5,400) ※横積みの場合 ※ Lateral loading 1,587 (3,500) ※縦積みの場合 ※ Longitudinal loading
DQP (LD-4)		5.5 (194)	120 ~ 130 (265 ~ 287)	
		244 × 153 × 163 (96 × 60.4 × 64)	B777 B767	2,449 (5,400)
IC		231 × 148 (91 × 58)	B787	2,449 (5,400) ※横積みの場合 ※ Lateral loading 1,587 (3,500) ※縦積みの場合 ※ Longitudinal loading
DQF (LD-8)		7.2 (253)	145 ~ 155 (320 ~ 342)	
		244 × 153 × 163 (96 × 60.4 × 64)	B777-200 B777-300 B787-8 B767	2,449 (5,400)
IC		225 × 154 (88 × 60)		

*国際 IC (International) 国内 DC (Domestic)

UNIT LOAD DEVICE

CONTAINER

IATA ID Code (IATA Code)	Illustration	内容量： Int Volume: m ³ (ft ³)	自重： Tare Wt: kg(Lbs)	
	内寸： Internal Dimension: cm(inch)	外寸 L × W × H： External Dimension L × W × H: cm(inch)	搭載可能機種 Loadable Aircraft	重量制限 (自重含)： Weight Lim. Inc ULD Tare Wt: kg(Lbs)
DLP (DWB) (LD-11F)		6.8 (240)	240 ~ 250 (529 ~ 551)	
		318 × 153 × 163 (125 × 60.4 × 64)	B777 B787 B767ER B767F	3,175 (7,000)
DC		296 × 137 (117 × 54)	A380	3,174 (7,000)
DLF (LD-6F)		8.7(307)	270 ~ 280 (595 ~ 617)	
		318 × 153 × 163 (125 × 60.4 × 64)	B777 B787	3,175 (7,000)
DC		231 × 139 (91 × 55)	A380	3,174 (7,000)
DAP (LD-9F)		10.3 (364)	417 ~ 430 (920 ~ 948)	
		224 × 318 × 163 (88 × 125 × 64)	B777 B787	4,676 (10,310)
DC		196 × 132 (77 × 52)	B767ER B767F	5,102 (11,250)

*国際 IC (International) 国内 DC (Domestic)

IATA ID Code (IATA Code)	Illustration	内容量 : Int Volume: m3(ft3)	自重 : Tare Wt: kg(Lbs)	
	内寸 : Internal Dimension: cm(inch)	外寸 L × W × H : External Dimension L × W × H: cm(inch)	搭載可能機種 Loadable Aircraft	重量制限 (自重含) : Weight Lim. Inc ULD Tare Wt: kg(Lbs)
DAP (LD-9F) SIDE DOOR OPEN TYPE		10.3 (364)	360 ~ 370 (794 ~ 816)	
		318 × 224 × 163 (125 × 88 × 64)	B777 B787	4,676 (10,310)
DC		284 × 130 (112 × 51)	B767ER B767F	5,102 (11,250)
DAF (LD-26)		12.5 (441)	275 ~ 285 (606 ~ 628)	
		318 × 224 × 163 (125 × 88 × 64)	B777 B787	4,676 (10,310)
DC		302 × 150 (119 × 59)	A380	4,676 (10,200)
UMA (M-1)		15.9 (561)	439 (968)	
		318 × 244 × 244 (125 × 96 × 96)	B767F	MAIN 3,394 (7,483) ~ 6,803 (15,000)
DC		225 × 228 (88.4 × 89.7)	B777F	MAIN 4,082 (9,000) ~ 6,803 (15,000)

*国際 IC (International) 国内 DC (Domestic)

UNIT LOAD DEVICE

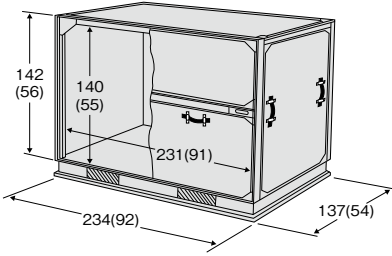
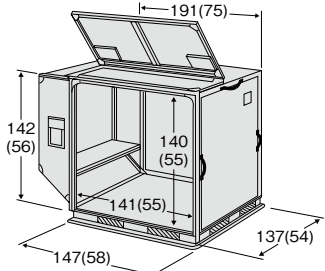
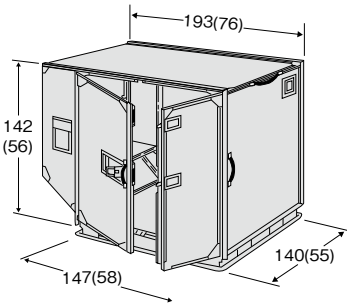
CONTAINER

IATA ID Code (IATA Code)	Illustration	内容量： Int Volume: m ³ (ft ³)	自重： Tare Wt: kg(Lbs)	
	内寸： Internal Dimension: cm(inch)	外寸 L × W × H： External Dimension L × W × H: cm(inch)	搭載可能機種	重量制限 (自重含)： Weight Lim. Inc ULD Tare Wt: kg(Lbs)

AMF (LD-36)		12.5 (441)	280 (617)	
		318 × 244 × 163 (125 × 96 × 64)	B777 B787 A380	5,102 (11,250)
IC	302 × 150 (119 × 59)			
HMJ		16.0 (565)	1,150 (2,530)	
		318 × 244 × 224 (125 × 96 × 88)	B777F	6,804 (15,000)
IC	170 × 222 (67 × 87.5)	—		

*国際 IC (International) 国内 DC (Domestic)

■ SPECIAL CONTAINER

IATA ID Code (IATA Code)	Illustration	内容量 : Int Volume: m ³ (ft ³)	自重 : Tare Wt: kg(Lbs)	
	内寸 : Internal Dimension: cm(inch)	外寸 L × W × H : External Dimension L × W × H: cm(inch)	搭載可能機種 Loadable Aircraft	重量制限 (自重含) : Weight Lim. Inc ULD Tare Wt: kg(Lbs)
MQP (LD-4F)		4.9 (173)	240 ~ 250 (529 ~ 551)	
		244 × 153 × 163 (96 × 60.4 × 64)	B777 B767	2,449(5,400)
		* INSULATED (簡易保冷コンテナ)	B787	2,449 (5,400) ※横積みの場合 ※ Lateral loading
DC		231 × 140 (91 × 55)	B787	1,587 (3,500) ※縦積みの場合 ※ Longitudinal loading
MKN (LD-3F)		3.8 (134)	150 ~ 160 (331 ~ 353)	
		156 × 153 × 163 (61.5 × 60.4 × 64)	B777 B787 B767 A380	1,587 (3,500)
		* INSULATED (簡易保冷コンテナ)		
DC				
MKN (LD-3F)		3.8 (134)	125 ~ 135 (276 ~ 298)	
		156 × 153 × 163 (61.5 × 60.4 × 64)	B777 B787 B767 A380	1,587 (3,500)
		* INSULATED (簡易保冷コンテナ)		
DC				

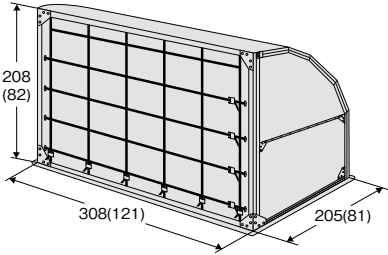
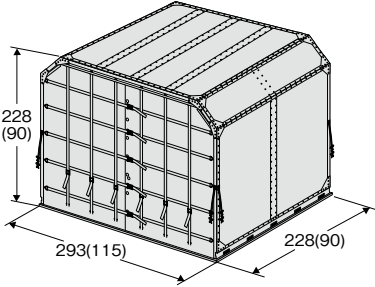
*国際 IC (International) 国内 DC (Domestic)

UNIT LOAD DEVICE

■ SPECIAL CONTAINER

IATA ID Code (IATA Code)	Illustration	内容量： Int Volume: m ³ (ft ³)	自重： Tare Wt: kg(Lbs)	
	内寸： Internal Dimension: cm(inch)	外寸 L × W × H： External Dimension L × W × H: cm(inch)	搭載可能機種	重量制限 (自重含)： Weight Lim. Inc ULD Tare Wt: kg(Lbs)
		ドアサイズ L × H： Door Size L × H: cm(inch)	Loadable Aircraft	
MKN (LD-3F)		3.0 (106)	280 ~ 290 (617 ~ 639)	
		156 × 153 × 162 (61.5 × 60.4 × 63)	B777 B787 B767 A380	1,587 (3,500)
		* FANTYPE (保冷、ド ライアイス冷却及びド ライアイス又は蓄冷剤 兼用コンテナ)		
		143 × 141 (56 × 56)		
DC				
RKN (LD-3F)		3.5 (123)	260 ~ 270 (573 ~ 595)	
		156 × 153 × 163 (61.5 × 60.4 × 64)	B777 B787 B767 A380	1,587 (3,500)
		* Inside Temp -20 ~ +20°C * Coolant DRY - ICE* FANTYPE		
		142 × 140 (56 × 55)		
IC DC				
RAP (LD-9)		8.9 (314)	450 ~ 460 (992 ~ 1,014)	
		318 × 224 × 163 (125 × 88 × 64)	B777 B787	4,676 (10,310)
		* Inside Temp -20 ~ +20°C * Coolant DRY - ICE* FANTYPE		
		278 × 145 (109 × 57)	A380	5,102 (11,250)
IC				

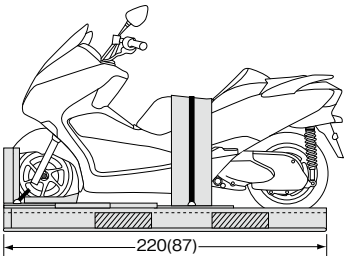
*国際 IC (International) 国内 DC (Domestic)

IATA ID Code (IATA Code)	Illustration	内容量 : Int Volume: m ³ (ft ³)	自重 : Tare Wt: kg(Lbs)	
	内寸 : Internal Dimension: cm(inch)	外寸 L × W × H : External Dimension L × W × H: cm(inch)	搭載可能機種 Loadable Aircraft	重量制限 (自重含) : Weight Lim. Inc ULD Tare Wt: kg(Lbs)
AAX		13.7 (484)	309 (681)	
		318 × 224 × 243 (125 × 88 × 96)	B767F	MAIN 4,857 (10,710) ~ 8,915 (19,656)
IC		295 × 233 (116 × 92)	B777F	MAIN 4,082 (9,000) ~ 6,803 (15,000)
AMA		17.1(604)	287(633)	
		318 × 244 × 244 (125 × 96 × 96)	B767F	MAIN 3,394 (7,483) ~ 6,803 (15,000)
IC		293 × 228 (115 × 90)	B777F	MAIN 4,082 (9,000) ~ 6,803 (15,000)

*国際 IC (International) 国内 DC (Domestic)

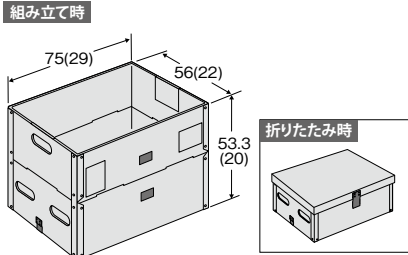
UNIT LOAD DEVICE

■ MOTORBIKE SKID (バイクスキッド)

IATA ID Code (IATA Code)	Illustration	内容量： Int Volume: m ³ (ft ³)	自重： Tare Wt: kg(Lbs)	
	内寸： Internal Dimension: cm(inch)	外寸 L × W × H： External Dimension L × W × H: cm(inch)	搭載可能機種	重量制限 (自重含)： Weight Lim. Inc ULD Tare Wt: kg(Lbs)
		ドアサイズ L × H： Door Size L × H: cm(inch)	Loadable Aircraft	
DC			175 ~ 185 (385 ~ 407)	
		220 × 74 × 49.5 (87 × 29 × 19)	B777 B787 B767 A380	

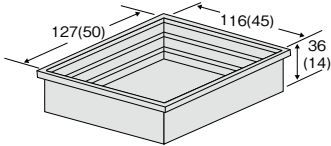
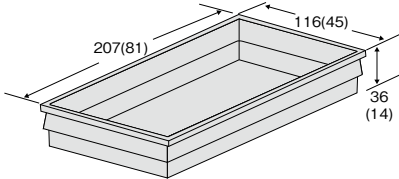
*国際 IC (International) 国内 DC (Domestic)

■ ANA MEDIUM BOX (AMB)

IATA ID Code (IATA Code)	Illustration	内容量： Int Volume: m ³ (ft ³)	自重： Tare Wt: kg(Lbs)	
	内寸： Internal Dimension: cm(inch)	外寸 L × W × H： External Dimension L × W × H: cm(inch)	搭載可能機種	重量制限 (自重含)： Weight Lim. Inc ULD Tare Wt: kg(Lbs)
		ドアサイズ L × H： Door Size L × H: cm(inch)	Loadable Aircraft	
DC			6(13)	
		78 × 59.4 × 53.3 (30 × 23 × 20)	All Aircraft (Bulk)	80 (176)

*国際 IC (International) 国内 DC (Domestic)

■ WATERPROOF PAN (防水パン)

IATA ID Code (IATA Code)	Illustration	内容量: Int Volume: m ³ (ft ³)	自重: Tare Wt: kg(Lbs)	
	内寸: Internal Dimension: cm(inch)	外寸 L × W × H: External Dimension L × W × H: cm(inch)	搭載可能機種 Loadable Aircraft	重量制限 (自重含): Weight Lim. Inc ULD Tare Wt: kg(Lbs)
LD3 TYPE		0.5(17)	25(55)	
		136 × 127 × 38 (53 × 50 × 15)	B777 B787 B767 A320 A321 A380	
DC				
LD4 TYPE		0.8(17)	40(88)	
		220 × 127 × 38 (86 × 50 × 15)	B777 B787 B767	
DC				

*国際 IC (International) 国内 DC (Domestic)

UNIT LOAD DEVICE

■ PALLET

IATA ID Code (ATA Code)	Illustration	内容量： Int Volume: m ³ (ft ³)	自重： Tare Wt: kg(Lbs)	
	内寸： Internal Dimension: cm(inch)	外寸 L × W × H： External Dimension L × W × H: cm(inch)	搭載可能機種 Loadable Aircraft	重量制限 (自重含)： Weight Lim. Inc ULD Tare Wt: kg(Lbs)
PNA		244 × 156 (96 × 61.5)	53 (117)	
			B777	2,449 (5,400)
IC			B787	2,449 (5,400)
PLA		318 × 153 × 163 (125 × 60.4 × 64)	100(220)	
			B787	3,175 (7,000)
			B777	2,449 (5,400)
IC DC			A380	3,174 (7,000)
PAG PAJ		318 × 224 × 163 (125 × 88 × 64)	100(220)	
			B777 B787	4,676 (10,310)
			A380	4,626(10,200)
			B767ER	5,102(11,250)
			B767F	MAIN 1,950(4,300) ~ 6,803(15,000) LOWER 5,102(11,250) ~ 6,032(13,300)
IC DC			B777F	MAIN 3,233(7,128) ~ 6,803(15,000) LOWER 4,676(10,310)

*国際 IC (International) 国内 DC (Domestic)

IATA ID Code (ATA Code)	Illustration	内容量： Int Volume: m3(ft3)	自重： Tare Wt: kg(Lbs)	
	内寸： Internal Dimension: cm(inch)	外寸 L × W × H： External Dimension L × W × H: cm(inch)	搭載可能機種 Loadable Aircraft	重量制限 (自重含)： Weight Lim. Inc ULD Tare Wt: kg(Lbs)

PMC		318 × 244 × 163 (125 × 96 × 64)	110 (242)	
			B777 B787 B767ER	5,102 (11,250)
IC DC			A380	5,103 (11,250)
			B767F	MAIN 3,394(7,483) ~ 6,803(15,000) LOWER 5,102(11,250) ~ 6,803(15,000)
IC		498 × 244 × 244 (196 × 96 × 96)	469(1,034)	
			B767F	MAIN 6,803 (15,000) ~ 10,437 (23,010)
IC			B777F	MAIN 6,401 (14,112) ~ 11,339 (25,000)
			500(1,100)	
PGA		606 × 244 × 299 (239 × 96 × 118)	500(1,100)	
			B777F	7,788 (17,170) ~ 11,339 (25,000)
IC				

*国際 IC (International) 国内 DC (Domestic)



ANA Cargo

