

ANA Cargo

ANA 

Dimension Guide



Dimension Guide

CONTENTS

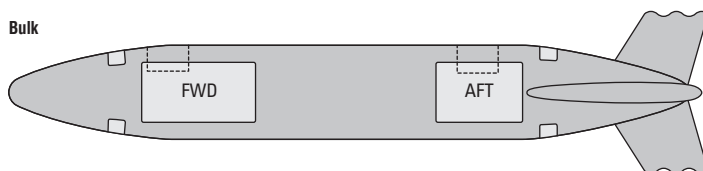
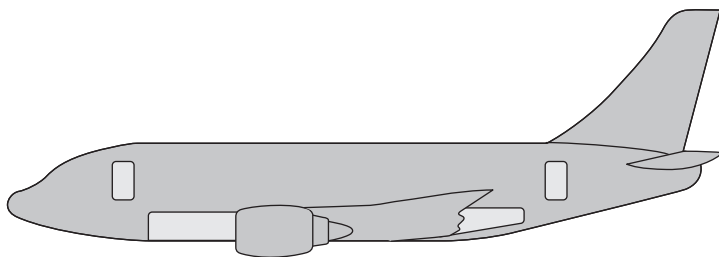
AIRCRAFT

BOEING 737-500	2
BOEING 737-700	4
BOEING 737-800	6
BOEING 767-300	8
BOEING 767-300 F/BCF	10
BOEING 777-200	12
BOEING 777-300	14
BOEING 777F	16
BOEING 787-8	18
BOEING 787-9	20
BOEING 787-10	22
AIRBUS 320/321	24
AIRBUS 380	26
DHC8-400	28
UNIT LOAD DEVICES	32 ~ 45

Updated in 2019

1

BOEING 737-500



● Cargo door dimensions

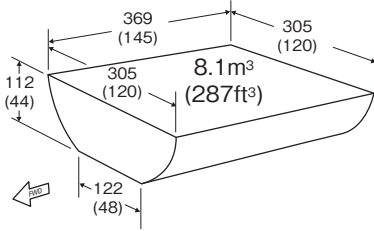
1 cm (inch)

Name of CGO Door	Door Dimension Width × Height
FWD CGO Door	121 × 88 (48 × 35)
AFT CGO Door	121 × 88 (48 × 35)

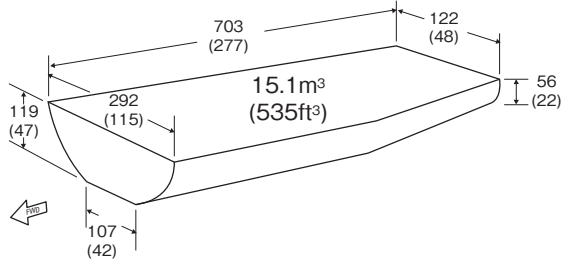
● Weight Limitation

Compartment		Maximum Weight of Loading	Floor Limitation
FWD	8404 ~ 307K	1,573kg (3,468Lbs)	732kg/m ² (150Lbs/ft ²)
	351K ~ 359K	1,508kg (3,324Lbs)	732kg/m ² (150Lbs/ft ²)
AFT	8404 ~ 307K	2,888kg (6,368Lbs)	732kg/m ² (150Lbs/ft ²)
	351K ~ 359K	2,888kg (6,368Lbs)	732kg/m ² (150Lbs/ft ²)

■ FWD Comp't dimension



■ AFT Comp't dimension



1 cm (inch)

● Package size table (FWD)

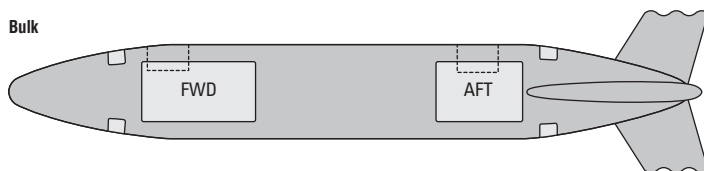
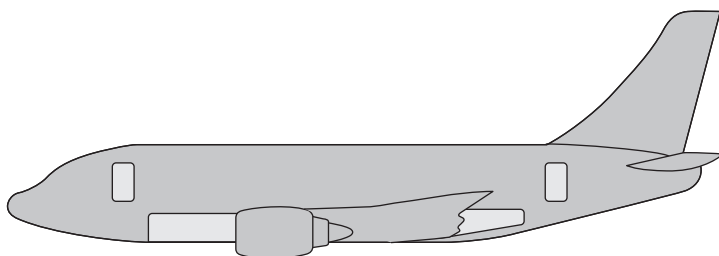
1 cm (inch)

	Width									
	12 (5)	25 (10)	38 (15)	50 (20)	63 (25)	76 (30)	89 (35)	101 (40)	114 (45)	
	Length									
Height	86 (34)	264 (104)	256 (101)	246 (97)	236 (93)	218 (86)	200 (79)	175 (69)	152 (60)	137 (54)
	81 (32)	264 (104)	256 (101)	246 (97)	236 (93)	218 (86)	200 (79)	175 (69)	152 (60)	137 (54)
	76 (30)	266 (105)	256 (101)	246 (97)	236 (93)	218 (86)	200 (79)	175 (69)	152 (60)	137 (54)
	71 (28)	266 (105)	259 (102)	246 (97)	236 (93)	218 (86)	200 (79)	175 (69)	152 (60)	137 (54)
	66 (26)	266 (105)	259 (102)	246 (97)	236 (93)	218 (86)	200 (79)	175 (69)	152 (60)	137 (54)
	60 (24)	269 (106)	259 (102)	246 (97)	236 (93)	218 (86)	200 (79)	175 (69)	152 (60)	137 (54)
	55 (22)	269 (106)	261 (103)	246 (97)	236 (93)	218 (86)	200 (79)	175 (69)	152 (60)	137 (54)
	50 (20)	271 (107)	261 (103)	246 (97)	236 (93)	218 (86)	200 (79)	175 (69)	152 (60)	137 (54)
	45 (18)	274 (108)	261 (103)	246 (97)	236 (93)	218 (86)	200 (79)	175 (69)	152 (60)	137 (54)
	40 (16)	279 (110)	264 (104)	246 (97)	236 (93)	218 (86)	200 (79)	175 (69)	152 (60)	137 (54)
	35 (14)	284 (112)	266 (105)	246 (97)	236 (93)	218 (86)	200 (79)	175 (69)	152 (60)	137 (54)
	30 (12)	289 (114)	266 (105)	246 (97)	236 (93)	218 (86)	200 (79)	175 (69)	152 (60)	137 (54)
	25 (10)	299 (118)	269 (106)	248 (98)	236 (93)	218 (86)	200 (79)	175 (69)	152 (60)	137 (54)
	12 (5)	307 (121)	281 (111)	254 (100)	236 (93)	218 (86)	200 (79)	175 (69)	152 (60)	137 (54)

● Package size table (AFT)

1 cm (inch)

	Width									
	12 (5)	25 (10)	38 (15)	50 (20)	63 (25)	76 (30)	89 (35)	101 (40)	114 (45)	
	Length									
Height	86 (34)	378 (149)	342 (135)	314 (124)	289 (114)	261 (103)	236 (93)	210 (83)	185 (73)	165 (65)
	81 (32)	381 (150)	342 (135)	314 (124)	289 (114)	261 (103)	236 (93)	210 (83)	185 (73)	165 (65)
	76 (30)	383 (151)	342 (135)	314 (124)	289 (114)	261 (103)	236 (93)	210 (83)	185 (73)	165 (65)
	71 (28)	386 (152)	345 (136)	314 (124)	289 (114)	261 (103)	236 (93)	210 (83)	185 (73)	165 (65)
	66 (26)	388 (153)	347 (137)	314 (124)	289 (114)	261 (103)	236 (93)	210 (83)	185 (73)	165 (65)
	60 (24)	393 (155)	347 (137)	314 (124)	289 (114)	261 (103)	236 (93)	210 (83)	185 (73)	165 (65)
	55 (22)	398 (157)	350 (138)	314 (124)	289 (114)	261 (103)	236 (93)	210 (83)	185 (73)	165 (65)
	50 (20)	406 (160)	355 (140)	317 (125)	289 (114)	261 (103)	236 (93)	210 (83)	185 (73)	165 (65)
	45 (18)	416 (164)	360 (142)	320 (126)	289 (114)	261 (103)	236 (93)	210 (83)	185 (73)	165 (65)
	40 (16)	426 (168)	365 (144)	322 (127)	289 (114)	261 (103)	236 (93)	210 (83)	185 (73)	165 (65)
	35 (14)	441 (174)	373 (147)	325 (128)	289 (114)	261 (103)	236 (93)	210 (83)	185 (73)	165 (65)
	30 (12)	457 (180)	383 (151)	330 (130)	292 (115)	264 (104)	236 (93)	210 (83)	185 (73)	165 (65)
	25 (10)	472 (186)	398 (157)	337 (133)	292 (115)	264 (104)	236 (93)	210 (83)	185 (73)	165 (65)
	12 (5)	510 (201)	457 (180)	373 (147)	312 (123)	269 (106)	236 (93)	210 (83)	185 (73)	165 (65)



AFT CARGO ROOMのFWD側にはスライディングカーペットが装備されている

● Cargo door dimensions

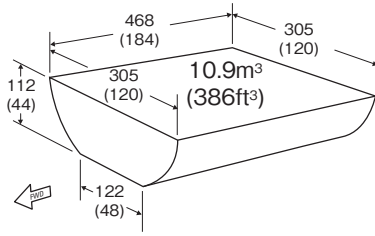
1 cm (inch)

Name of CGO Door	Door Dimension Width × Height
FWD CGO Door	121 × 88 (48 × 35)
AFT CGO Door	121 × 88 (48 × 35)

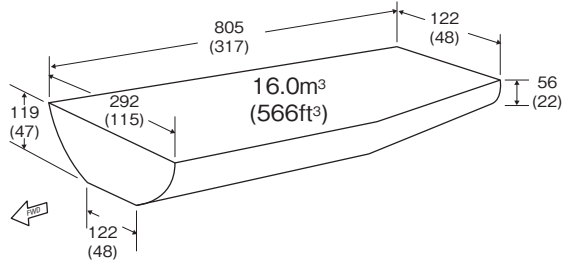
● Weight Limitation

Compartment		Maximum Weight of Loading	Floor Limitation
FWD	-700	2,007kg (4,424Lbs)	732kg/m ² (150Lbs/ft ²)
	-700ER	552kg (1,218Lbs)	732kg/m ² (150Lbs/ft ²)
AFT	-700	2,989kg (6,590Lbs)	732kg/m ² (150Lbs/ft ²)
	-700ER	401kg (884Lbs)	732kg/m ² (150Lbs/ft ²)

■ FWD Comp't dimension



■ AFT Comp't dimension



1 cm (inch)

● Package size table (FWD)

1 cm (inch)

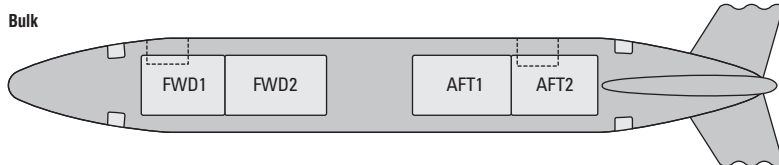
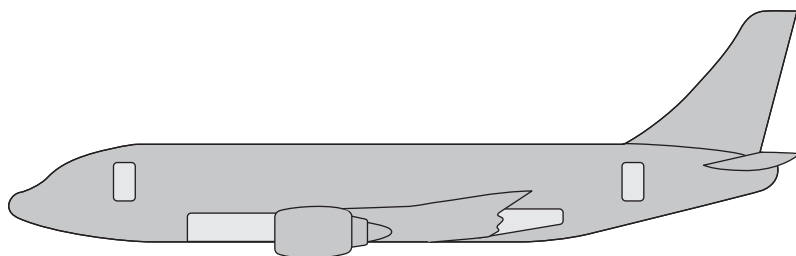
	Width										
	12 (5)	25 (10)	38 (15)	50 (20)	63 (25)	76 (30)	89 (35)	101 (40)	114 (45)	122 (48)	
	Length										
Height	86 (34)	338 (133)	292 (115)	257 (101)	226 (89)	201 (79)	180 (71)	160 (63)	147 (58)	137 (54)	135 (53)
	81 (32)	378 (149)	335 (132)	292 (115)	259 (102)	231 (91)	206 (81)	185 (73)	170 (67)	160 (63)	157 (62)
	76 (30)	389 (153)	378 (149)	330 (130)	290 (114)	257 (101)	229 (90)	208 (82)	191 (75)	180 (71)	175 (69)
	71 (28)	396 (156)	389 (153)	381 (150)	328 (129)	290 (114)	257 (101)	231 (91)	211 (83)	196 (77)	193 (76)
	66 (26)	401 (158)	394 (155)	386 (152)	351 (138)	307 (121)	274 (108)	246 (97)	226 (89)	211 (83)	206 (81)
	60 (24)	409 (161)	401 (155)	394 (155)	386 (152)	335 (132)	297 (117)	267 (105)	244 (96)	226 (89)	221 (87)
	55 (22)	417 (161)	409 (158)	401 (155)	394 (155)	356 (140)	315 (124)	282 (111)	257 (101)	236 (93)	231 (91)
	50 (20)	422 (166)	414 (163)	406 (160)	401 (158)	384 (151)	338 (133)	302 (119)	272 (107)	251 (99)	241 (95)
	45 (18)	430 (169)	422 (166)	414 (163)	406 (160)	399 (157)	356 (140)	315 (124)	284 (112)	262 (103)	251 (99)
	40 (16)	437 (172)	432 (170)	417 (164)	409 (161)	401 (158)	368 (145)	325 (128)	292 (115)	267 (105)	257 (101)
	35 (14)	439 (173)	432 (170)	424 (167)	417 (164)	411 (162)	391 (154)	345 (136)	310 (122)	279 (110)	269 (106)
	30 (12)	442 (174)	434 (171)	430 (169)	422 (166)	414 (163)	401 (158)	358 (141)	320 (126)	292 (115)	277 (109)
	25 (10)	447 (176)	439 (173)	434 (171)	427 (168)	419 (165)	414 (163)	371 (146)	330 (130)	307 (121)	284 (112)
	12 (5)	455 (179)	447 (176)	439 (173)	434 (171)	427 (168)	422 (166)	414 (163)	363 (143)	318 (125)	302 (119)

● Package size table (AFT)

1 cm (inch)

	Width										
	12 (5)	25 (10)	38 (15)	50 (20)	63 (25)	76 (30)	89 (35)	101 (40)	114 (45)	122 (48)	
	Length										
Height	86 (34)	226 (89)	196 (77)	168 (66)	147 (58)	132 (52)	—	—	—	—	—
	81 (32)	315 (124)	274 (108)	236 (93)	208 (82)	183 (72)	163 (64)	145 (57)	132 (52)	124 (49)	124 (49)
	76 (30)	406 (160)	356 (140)	312 (123)	279 (110)	251 (99)	226 (89)	206 (81)	191 (75)	178 (70)	170 (67)
	71 (28)	447 (176)	386 (152)	338 (133)	300 (118)	267 (105)	239 (94)	216 (85)	198 (78)	185 (73)	178 (70)
	66 (26)	511 (201)	434 (171)	376 (148)	330 (130)	295 (116)	264 (104)	239 (94)	218 (86)	203 (80)	193 (76)
	60 (24)	579 (228)	480 (189)	411 (162)	361 (142)	320 (126)	287 (113)	259 (102)	236 (93)	221 (87)	202 (82)
	55 (22)	587 (231)	523 (206)	450 (177)	386 (152)	340 (134)	305 (120)	274 (108)	251 (99)	234 (92)	224 (88)
	50 (20)	589 (232)	582 (229)	485 (191)	422 (166)	373 (147)	325 (128)	295 (116)	267 (105)	246 (97)	234 (92)
	45 (18)	594 (234)	587 (231)	518 (204)	447 (176)	394 (155)	343 (135)	310 (122)	282 (111)	259 (102)	246 (97)
	40 (16)	599 (236)	589 (232)	559 (220)	478 (188)	417 (164)	363 (143)	325 (128)	295 (116)	269 (106)	254 (100)
	35 (14)	602 (237)	594 (234)	587 (231)	511 (201)	442 (174)	389 (153)	340 (134)	307 (121)	282 (111)	264 (104)
	30 (12)	605 (238)	597 (235)	589 (232)	538 (212)	462 (182)	406 (160)	363 (143)	330 (130)	302 (119)	272 (107)
	25 (10)	610 (240)	599 (236)	592 (233)	566 (223)	483 (190)	422 (166)	376 (148)	338 (133)	310 (121)	279 (110)
	12 (5)	627 (247)	607 (239)	599 (236)	592 (233)	559 (220)	475 (187)	414 (163)	363 (143)	325 (128)	295 (116)

3 BOEING 737-800



AFT CARGO ROOM の FWD 側にはスライディングカーベットが装備されている

● Cargo door dimensions

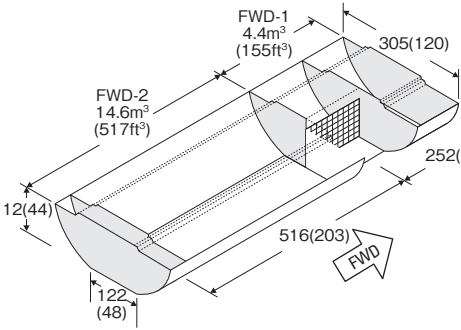
1 cm (inch)

Name of CGO Door	Door Dimension Width × Height
FWD CGO Door	121 × 88 (48 × 35)
AFT CGO Door	121 × 78~88 (48 × 31~35)

● Weight Limitation

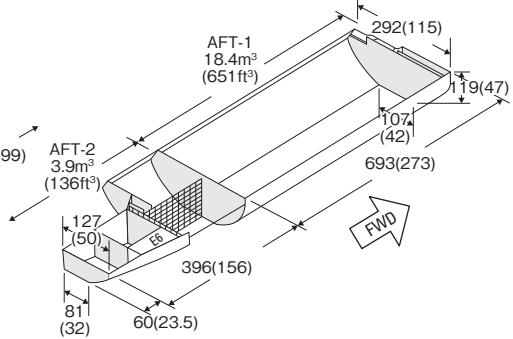
Compartment		Maximum Weight of Loading	Floor Limitation
FWD	F-1	809kg (1,785Lbs)	732kg/m ² (150Lbs/ft ²)
	F-2	2,670kg (5,887Lbs)	732kg/m ² (150Lbs/ft ²)
AFT	A-1	3,818kg (8,418Lbs)	732kg/m ² (150Lbs/ft ²)
	A-2	764kg (1,685Lbs)	732kg/m ² (150Lbs/ft ²)

■ FWD Comp't dimension



[cm (inch)]

■ AFT Comp't dimension



● Package size table (FWD)

[cm (inch)]

Height	Width										
	12	25	38	50	63	76	89	101	114	122	
	(5)	(10)	(15)	(20)	(25)	(30)	(35)	(40)	(45)	(48)	
Height	Length										
	86	81	76	71	66	61	56	51	46	41	36
	(34)	(32)	(30)	(28)	(26)	(24)	(22)	(20)	(18)	(16)	(14)
86	284	254	228	205	185	170	154	144	137	134	
(34)	(112)	(100)	(90)	(81)	(73)	(67)	(61)	(57)	(54)	(53)	
81	332	294	264	238	215	195	180	167	160	157	
(32)	(131)	(116)	(104)	(94)	(85)	(77)	(71)	(66)	(63)	(62)	
76	381	332	297	266	241	220	203	187	180	175	
(30)	(150)	(131)	(117)	(105)	(95)	(87)	(80)	(74)	(71)	(69)	
71	426	373	314	294	266	241	223	208	195	193	
(28)	(168)	(147)	(124)	(116)	(105)	(95)	(88)	(82)	(77)	(76)	
66	477	408	360	320	287	261	238	223	210	205	
(26)	(188)	(161)	(142)	(126)	(113)	(103)	(94)	(88)	(83)	(81)	
60	533	449	391	347	309	281	256	238	226	220	
(24)	(210)	(177)	(154)	(137)	(122)	(111)	(101)	(94)	(89)	(87)	
55	586	492	424	373	332	299	274	254	238	231	
(22)	(231)	(194)	(167)	(147)	(131)	(118)	(108)	(100)	(94)	(91)	
50	645	533	457	398	353	317	289	266	248	243	
(20)	(254)	(210)	(180)	(157)	(139)	(125)	(114)	(105)	(98)	(96)	
45	693	579	490	424	373	335	302	279	259	254	
(18)	(273)	(228)	(193)	(167)	(147)	(132)	(119)	(110)	(102)	(100)	
40	695	627	523	449	401	353	317	289	269	261	
(16)	(274)	(247)	(206)	(177)	(158)	(139)	(125)	(114)	(106)	(103)	
35	698	678	558	477	429	368	330	302	279	271	
(14)	(275)	(267)	(220)	(188)	(169)	(145)	(130)	(119)	(110)	(107)	
30	703	693	591	500	434	383	342	312	287	279	
(12)	(277)	(273)	(233)	(197)	(171)	(151)	(135)	(123)	(113)	(110)	
25	703	695	635	533	459	403	360	327	299	284	
(10)	(277)	(274)	(250)	(210)	(181)	(159)	(142)	(129)	(118)	(112)	
12	711	701	693	614	520	452	401	360	330	294	
(5)	(280)	(276)	(273)	(242)	(205)	(178)	(158)	(142)	(130)	(116)	

* 横断カーゴネットが設置された場合、貨物の最大長は 520cm(205inch) に制限される

● Package size table (AFT)

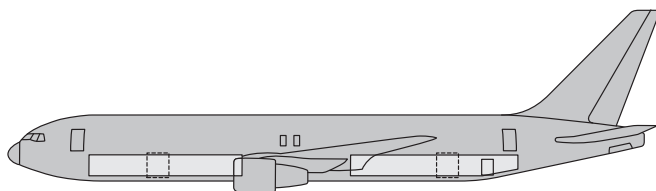
[cm (inch)]

Height	Width										
	12	25	38	50	63	76	89	101	114	122	
	(5)	(10)	(15)	(20)	(25)	(30)	(35)	(40)	(45)	(48)	
Height	Length										
	86	81	76	71	66	61	56	51	46	41	36
	(34)	(32)	(30)	(28)	(26)	(24)	(22)	(20)	(18)	(16)	(14)
86	226	195	167	147	132	(*)	(*)	(*)	(*)	(*)	
(34)	(89)	(77)	(66)	(58)	(52)						
81	314	274	236	208	182	162	144	132	124	124	
(32)	(124)	(108)	(93)	(82)	(72)	(64)	(57)	(52)	(49)	(49)	
76	406	355	312	279	251	226	205	190	177	170	
(30)	(160)	(140)	(123)	(110)	(99)	(89)	(81)	(75)	(70)	(67)	
71	447	386	337	299	266	238	215	198	185	177	
(28)	(176)	(152)	(133)	(118)	(105)	(94)	(85)	(78)	(73)	(70)	
66	510	434	375	330	294	264	238	218	203	193	
(26)	(201)	(171)	(148)	(130)	(116)	(104)	(94)	(86)	(80)	(76)	
60	579	480	411	360	320	287	259	236	220	208	
(24)	(228)	(189)	(162)	(142)	(126)	(113)	(102)	(93)	(87)	(82)	
55	627	523	449	386	340	304	274	251	233	223	
(22)	(247)	(206)	(177)	(152)	(134)	(120)	(108)	(99)	(92)	(88)	
50	698	571	485	421	373	325	294	266	246	233	
(20)	(275)	(225)	(191)	(166)	(147)	(128)	(116)	(105)	(97)	(92)	
45	858	614	523	447	393	342	309	281	259	246	
(18)	(338)	(242)	(206)	(176)	(155)	(135)	(122)	(111)	(102)	(97)	
40	861	673	558	477	416	363	325	294	269	254	
(16)	(339)	(265)	(220)	(188)	(164)	(143)	(128)	(116)	(106)	(100)	
35	863	744	604	510	441	388	340	307	281	264	
(14)	(340)	(293)	(238)	(201)	(174)	(153)	(134)	(121)	(111)	(104)	
30	866	858	642	538	462	406	363	330	302	271	
(12)	(341)	(338)	(253)	(212)	(182)	(160)	(143)	(130)	(119)	(107)	
25	871	861	693	574	482	421	375	337	309	279	
(10)	(343)	(339)	(273)	(226)	(190)	(166)	(148)	(133)	(122)	(110)	
12	876	863	855	680	561	477	414	365	332	304	
(5)	(345)	(340)	(337)	(268)	(221)	(188)	(163)	(144)	(131)	(120)	

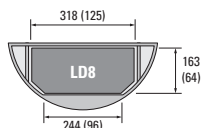
*1 いかなる長さの搭載物も、斜めに傾けなければ搭載することはできない。
* 横断カーゴネットが設置された場合、貨物の最大長は 703cm(277inch) に制限される。

4

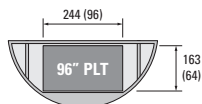
BOEING 767-300 <300ER>



Container



Pallet



● Cargo door dimensions

1 cm (inch)

Name of CGO Door	Door Dimension Width × Height
FWD CGO Door	178 × 175 (70 × 69) / 300ER 340 × 175 (134 × 69)
AFT CGO Door	178 × 175 (70 × 69)
BULK CGO Door	97 × 114 (38 × 45)

● Maximum Number of ULD

Compartment	ULD		
FWD	300	8 Containers	300ER 8 Containers / 4 Pallets
AFT		7 Containers	7 Containers / 3 Pallets
TOTAL		15 Containers	15 Containers / 7 Pallets

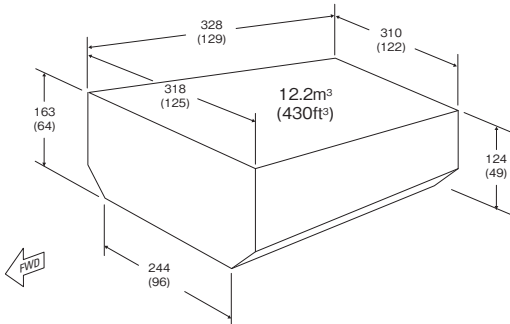
● Weight Limitation

Compartment	Maximum Weight of Loading	Floor Limitation
FWD	14,152kg (31,200Lbs)	977kg/m ² (200Lbs/ft ²)
AFT	11,747kg (25,900Lbs)	977kg/m ² (200Lbs/ft ²)
BULK	2,925kg (6,450Lbs)	732kg/m ² (150Lbs/ft ²)

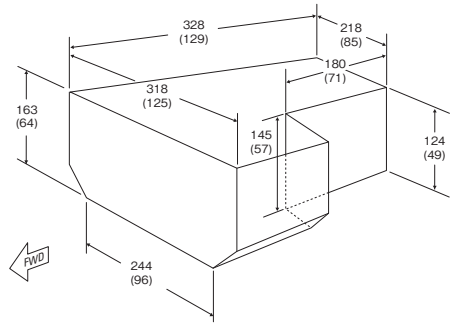
■ Bulk Comp't dimension

1 cm (inch)

<~JA618A>



<~JA619A~>



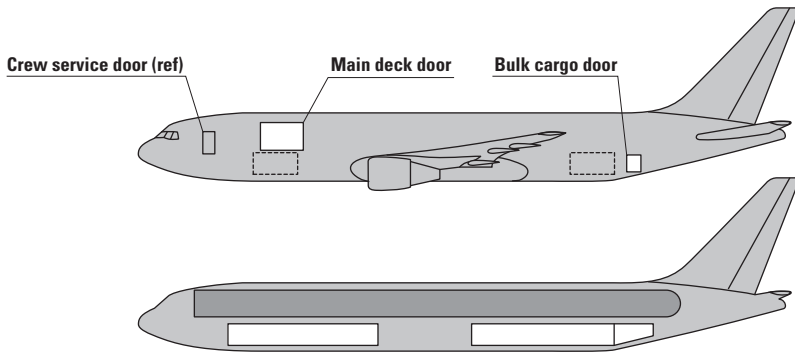
● Package size table (BULK)

1 cm (inch)

		Width						
		13 (5)	25 (10)	51 (20)	76 (30)	89 (35)	91 (36)	93 (36.6)
		Length						
Height	120 (47.2)	302 (119)	—	—	—	—	—	—
	118 (46.6)	302 (119)	302 (119)	—	—	—	—	—
	116 (45.5)	302 (119)	302 (119)	302 (119)	—	—	—	—
	107 (42.0)	302 (119)	302 (119)	302 (119)	302 (119)	302 (119)	—	—
	91 (35.7)	302 (119)	302 (119)	302 (119)	302 (119)	302 (119)	—	—
	51 (20.0)	302 (119)	302 (119)	302 (119)	302 (119)	302 (119)	302 (119)	—
	25 (10.0)	302 (119)	302 (119)	302 (119)	302 (119)	302 (119)	302 (119)	—
	13 (5.0)	302 (119)	302 (119)	302 (119)	302 (119)	302 (119)	302 (119)	302 (119)

5

BOEING 767-300, F/BCF



● Cargo door dimensions

1 cm (inch)

Name of CGO Door	Door Dimension Width × Height
Main deck CGO Door	340 × 262 (134 × 103)
FWD CGO Door	340 × 170 (134 × 67)
AFT CGO Door	340 × 170 (134 × 67) / BCF 178 × 175 (70 × 69)
BULK CGO Door	97 × 114 (38 × 45)

● Maximum Number of ULD

Compartment	ULD
MAIN	22 Pallets (Side by side ver)
FWD	8 Containers / 4 Pallets
AFT	7 Containers / 3 Pallets
TOTAL	15 Containers / 29 Pallets

● Weight Limitation

Compartment	Maximum Weight of Loading	Floor Limitation
MAIN	26,000kg (45,400Lbs)	1,221kg/m ² (250Lbs/ft ²)
FWD	20,411kg (45,000Lbs)	977kg/m ² (200Lbs/ft ²)
AFT	17,758kg (39,150Lbs)	977kg/m ² (200Lbs/ft ²)
BULK	2,925kg (6,450Lbs)	732kg/m ² (150Lbs/ft ²)

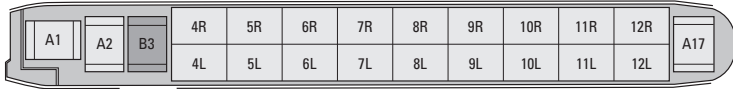
■ Main Deck

Transverse



*ポジションコードはB6FとBCFで異なります。

Side By Side



*ポジションコードはB6FとBCFで異なります。

Container Load



*ポジションコードはB6FとBCFで異なります。

■ Lower Deck

Container

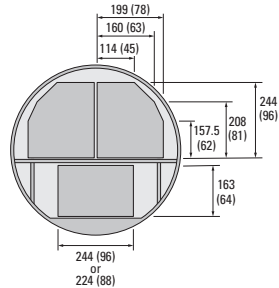
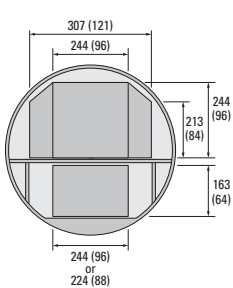


*ポジションコードはB6FとBCFで異なります。

Pallet

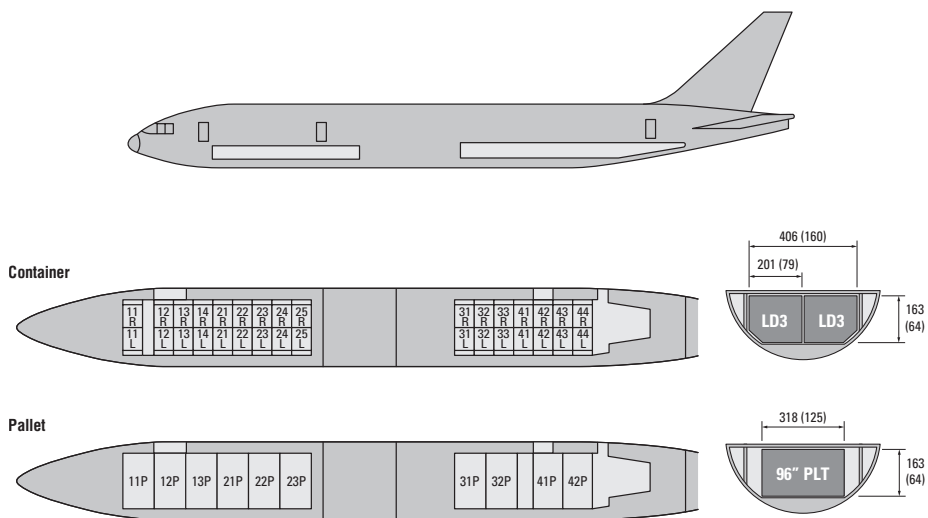


*ポジションコードはB6FとBCFで異なります。



6

BOEING 777-200



● Cargo door dimensions

1 cm (inch)

Name of CGO Door	Door Dimension Width × Height
FWD CGO Door	269 × 170 (106 × 67)
AFT CGO Door	<DOM> 178 × 170 (70 × 67)/ 200ER 269 × 170 (106 × 67)
BULK CGO Door	91 × 114 (36 × 45)

● Maximum Number of ULD

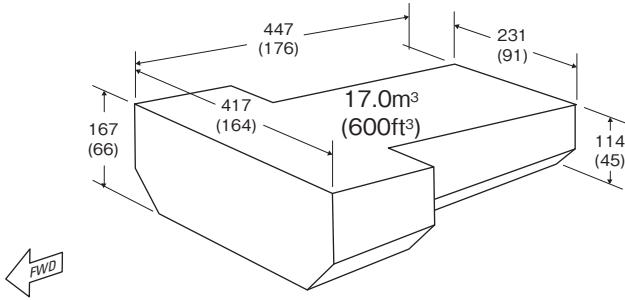
Compartment	ULD	
FWD	200 18 Containers / 6 Pallets	200ER 18 Containers / 6 Pallets
AFT	14 Containers / <INT> 4 Pallets	10 Containers / <INT> 3 Pallets
TOTAL	32 Containers / <INT> 10 Pallets	28 Containers / <INT> 9 Pallets

● Weight Limitation

Compartment	Maximum Weight of Loading	Floor Limitation
FWD	30,617kg (67,500Lbs)	977kg/m ² (200Lbs/ft ²)
AFT	22,226kg (49,000Lbs)	977kg/m ² (200Lbs/ft ²)
BULK	4,082kg (9,000Lbs)	732kg/m ² (150Lbs/ft ²)

■ Bulk Comp't dimension

1 cm (inch)

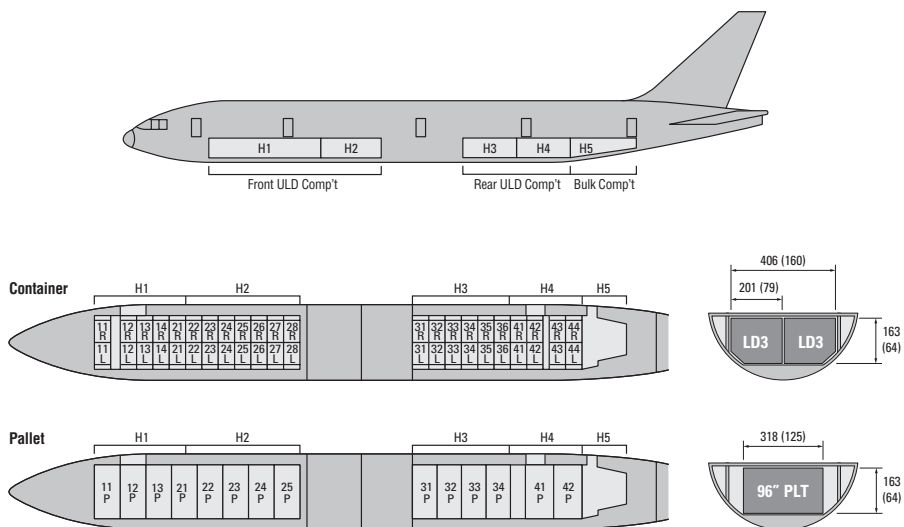


● Package size table (BULK)

1 cm (inch)

		Width					
		12 (5)	25 (10)	38 (15)	50 (20)	63 (25)	84 (33.2)
		Length					
Height	101 (40)	429 (169)	429 (169)	391 (154)	360 (142)	337 (133)	312 (123)
	91 (36)	429 (169)	429 (169)	408 (161)	373 (147)	347 (137)	325 (128)
	81 (32)	429 (169)	429 (169)	429 (169)	391 (154)	363 (143)	337 (133)
	71 (28)	429 (169)	429 (169)	429 (169)	411 (162)	381 (150)	347 (137)
	60 (24)	429 (169)	429 (169)	429 (169)	411 (162)	381 (150)	347 (137)
	50 (20)	429 (169)	429 (169)	429 (169)	411 (162)	381 (150)	347 (137)
	40 (16)	429 (169)	429 (169)	429 (169)	411 (162)	381 (150)	347 (137)
	30 (12)	429 (169)	429 (169)	429 (169)	411 (162)	381 (150)	347 (137)
	20 (8)	429 (169)	429 (169)	429 (169)	411 (162)	381 (150)	347 (137)
	10 (4)	429 (169)	429 (169)	429 (169)	411 (162)	381 (150)	347 (137)

7 BOEING 777-300 <300ER>



● Cargo door dimensions

1 cm (inch) |

Name of CGO Door	Door Dimension Width × Height
FWD CGO Door	269 × 170 (106 × 67)
AFT CGO Door	300 178 × 170 (70 × 67) / 300ER 269 × 170 (106 × 67)
BULK CGO Door	91 × 114 (36 × 45)

● Maximum Number of ULD

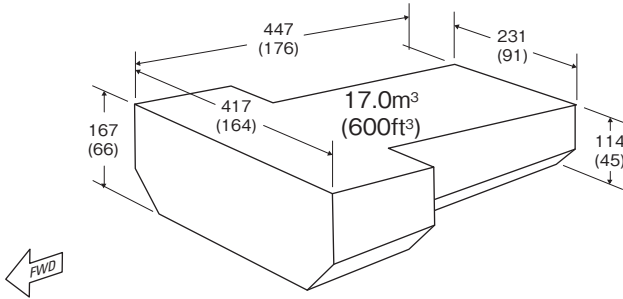
Compartment	ULD	
FWD	300 24 Containers / 8 Pallets	300ER 24 Containers / 8 Pallets
AFT	20 Containers	20 Containers / 6 Pallets
TOTAL	44 Containers / 8 Pallets	44 Containers / 14 Pallets

● Weight Limitation

Compartment	Maximum Weight of Loading	Floor Limitation
FWD	40,823kg (90,000Lbs)	977kg/m ² (200Lbs/ft ²)
AFT	31,751kg (70,000Lbs)	977kg/m ² (200Lbs/ft ²)
BULK	4,082kg (9,000Lbs)	732kg/m ² (150Lbs/ft ²)

■ Bulk Comp't dimension

1 cm (inch)

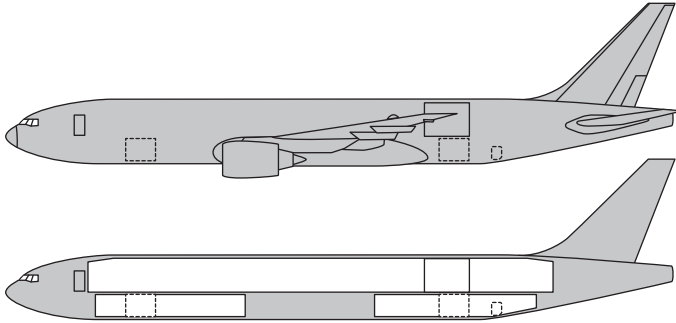


● Package size table (BULK)

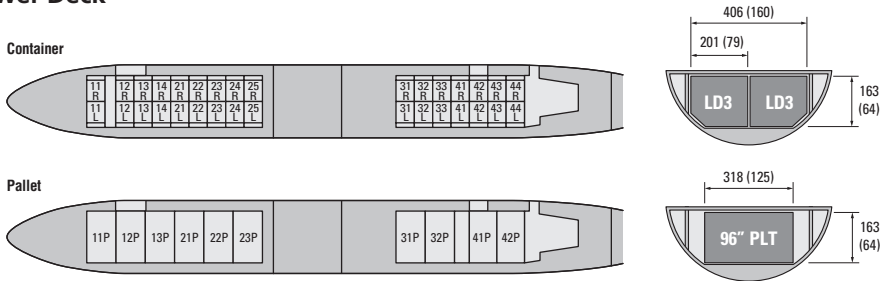
1 cm (inch)

		Width					
		12 (5)	25 (10)	38 (15)	50 (20)	63 (25)	84 (33.2)
Height		Length					
		101 (40)	429 (169)	429 (169)	391 (154)	360 (142)	337 (133)
91 (36)	429 (169)	429 (169)	408 (161)	373 (147)	347 (137)	325 (128)	
81 (32)	429 (169)	429 (169)	429 (169)	391 (154)	363 (143)	337 (133)	
71 (28)	429 (169)	429 (169)	429 (169)	411 (162)	381 (150)	347 (137)	
60 (24)	429 (169)	429 (169)	429 (169)	411 (162)	381 (150)	347 (137)	
50 (20)	429 (169)	429 (169)	429 (169)	411 (162)	381 (150)	347 (137)	
40 (16)	429 (169)	429 (169)	429 (169)	411 (162)	381 (150)	347 (137)	
30 (12)	429 (169)	429 (169)	429 (169)	411 (162)	381 (150)	347 (137)	
20 (8)	429 (169)	429 (169)	429 (169)	411 (162)	381 (150)	347 (137)	
10 (4)	429 (169)	429 (169)	429 (169)	411 (162)	381 (150)	347 (137)	

* BOEING 777-300ERは、国際線使用機材です。
BOEING 777-300ER is used only for international flight.



■ Lower Deck



● Cargo door dimensions

1 cm (inch) |

Name of CGO Door	Door Dimension Width × Height
Main deck CGO Door	373 × 305 (147 × 120)
FWD CGO Door	259 × 170 (102 × 67)
AFT CGO Door	259 × 170 (102 × 67)
BULK CGO Door	84 × 112 (33 × 44)

● Maximum Number of ULD

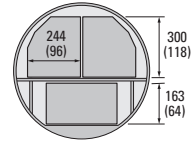
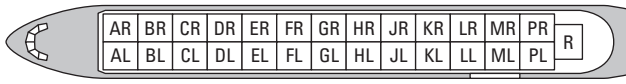
Compartment	ULD
MAIN	27 Pallets (side by side ver)
FWD	18 Containers / 6 Pallets
AFT	14 Containers / 4 Pallets
TOTAL	32 Containers / 37 Pallets

● Weight Limitation

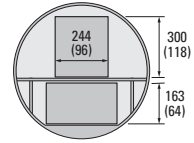
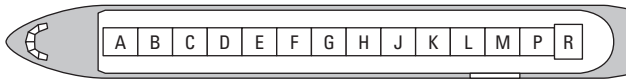
Compartment	Maximum Weight of Loading	Floor Limitation
MAIN	-	1,464kg/m ² (300lbs/ft ²)
FWD	30,617kg (67,500lbs)	976kg/m ² (200lbs/ft ²)
AFT	22,226kg (49,000lbs)	976kg/m ² (200lbs/ft ²)
BULK	4,082kg (9,000lbs)	732kg/m ² (150lbs/ft ²)

■ Main Deck

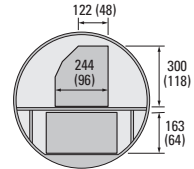
Side by side (PMC or PAG)



Center load (PMC)

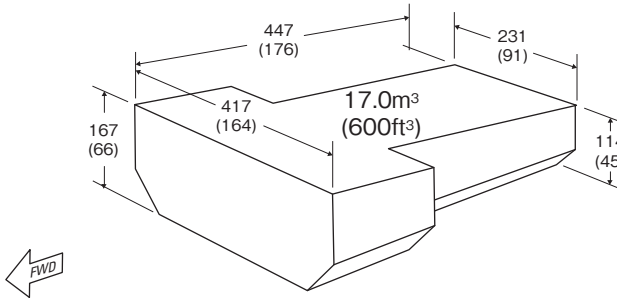


Center load (PRA or PGA)



■ Bulk Comp't dimension

1 cm (inch) |

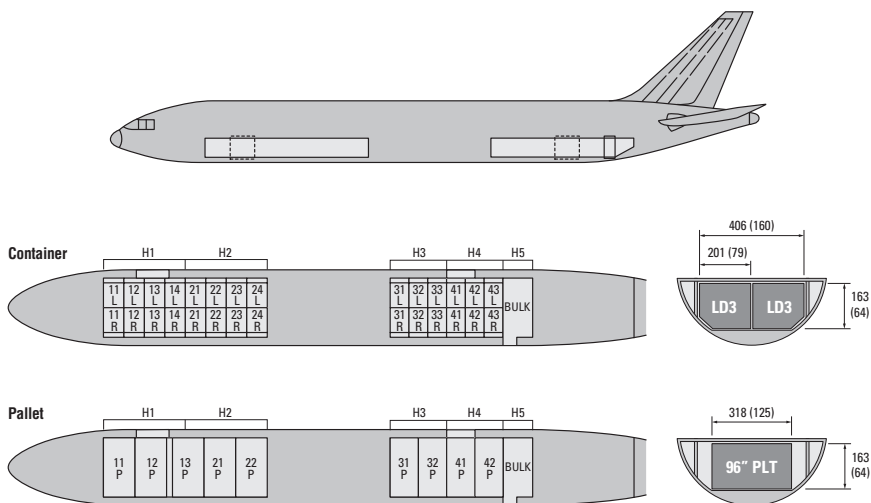


● Package size table (BULK)

1 cm (inch) |

		Width					
		12(5)	25(10)	38(15)	50(20)	63(25)	84(33.2)
		Length					
Height	101(40)	429(169)	429(169)	391(154)	360(142)	337(133)	312(123)
	91(36)	429(169)	429(169)	408(161)	373(147)	347(137)	325(128)
	81(32)	429(169)	429(169)	429(169)	391(154)	363(143)	337(133)
	71(28)	429(169)	429(169)	429(169)	411(162)	381(150)	347(137)
	60(24)	429(169)	429(169)	429(169)	411(162)	381(150)	347(137)
	50(20)	429(169)	429(169)	429(169)	411(162)	381(150)	347(137)
	40(16)	429(169)	429(169)	429(169)	411(162)	381(150)	347(137)
	30(12)	429(169)	429(169)	429(169)	411(162)	381(150)	347(137)
	20(8)	429(169)	429(169)	429(169)	411(162)	381(150)	347(137)
10(4)	429(169)	429(169)	429(169)	411(162)	381(150)	347(137)	

9 BOEING 787-8



● Cargo door dimensions

1 cm (inch) |

Name of CGO Door	Door Dimension Width × Height
FWD CGO Door	269 × 170 (106 × 67)
AFT CGO Door	269 × 170 (106 × 67)
BULK CGO Door	102 × 114 (40 × 45)

● Maximum Number of ULD

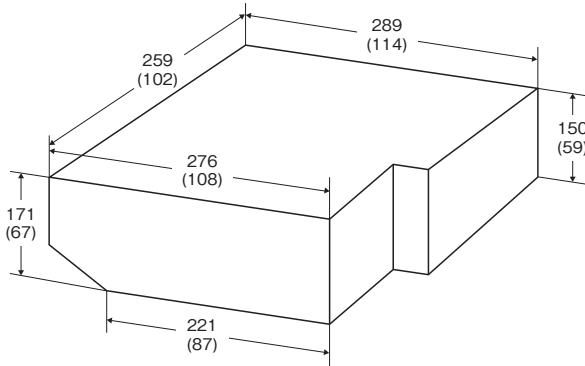
Compartment	ULD
FWD	16 Containers / 5 Pallets
AFT	12 Containers / 4 Pallets
TOTAL	28 Containers / 9 Pallets

● Weight Limitation

Compartment	Maximum Weight of Loading	Floor Limitation
FWD	22,906kg (50,500Lbs)	977kg/m ² (200Lbs/ft ²)
AFT	18,534kg (40,860Lbs)	977kg/m ² (200Lbs/ft ²)
BULK	2,735kg (6,030Lbs)	732kg/m ² (150Lbs/ft ²)

■ Bulk Comp't dimension

1 cm (inch)

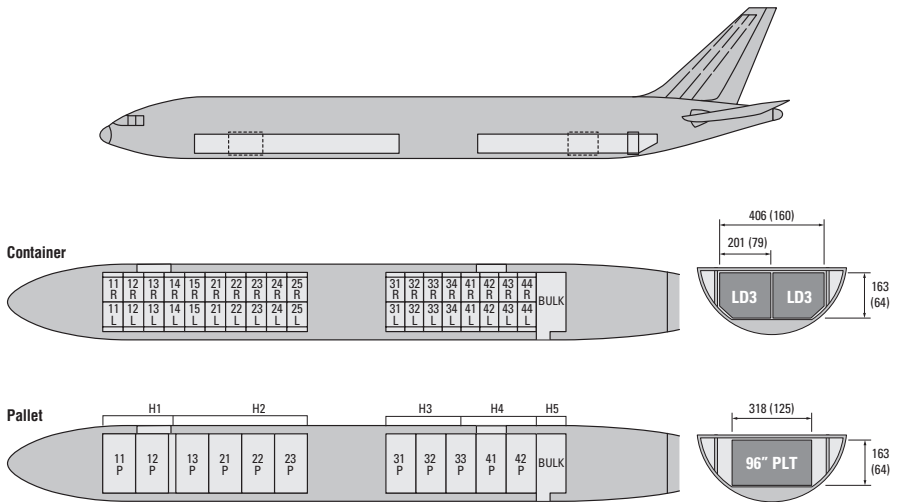


● Package size table (BULK)

1 cm (inch)

		Width						
		12 (5)	25 (10)	38 (15)	50 (20)	63 (25)	76 (30)	88 (35)
		Length						
Height	111 (45)	304 (120)	304 (120)	292 (115)	279 (110)	266 (105)	254 (100)	241 (95)
	101 (40)	317 (125)	304 (120)	292 (115)	279 (110)	266 (105)	254 (100)	241 (95)
	91 (36)	317 (125)	304 (120)	292 (115)	279 (110)	266 (105)	254 (100)	241 (95)
	81 (32)	317 (125)	304 (120)	292 (115)	279 (110)	266 (105)	254 (100)	241 (95)
	71 (28)	330 (130)	317 (125)	304 (120)	292 (115)	279 (110)	266 (105)	254 (100)
	60 (24)	330 (130)	317 (125)	304 (120)	292 (115)	279 (110)	266 (105)	254 (100)
	50 (20)	330 (130)	317 (125)	317 (125)	304 (120)	292 (115)	279 (110)	266 (105)
	40 (16)	342 (135)	330 (130)	317 (125)	304 (120)	292 (115)	279 (110)	266 (105)
	30 (12)	342 (135)	342 (135)	330 (130)	317 (125)	304 (120)	292 (115)	279 (110)
	20 (8)	355 (140)	342 (135)	330 (130)	317 (125)	304 (120)	304 (120)	292 (115)
10 (4)	368 (145)	355 (140)	342 (135)	330 (130)	317 (125)	304 (120)	292 (115)	

10 BOEING 787-9



● Cargo door dimensions

1 cm (inch) |

Name of CGO Door	Door Dimension Width × Height
FWD CGO Door	269 × 170 (106 × 67)
AFT CGO Door	269 × 170 (106 × 67)
BULK CGO Door	102 × 114 (40 × 45)

● Maximum Number of ULD

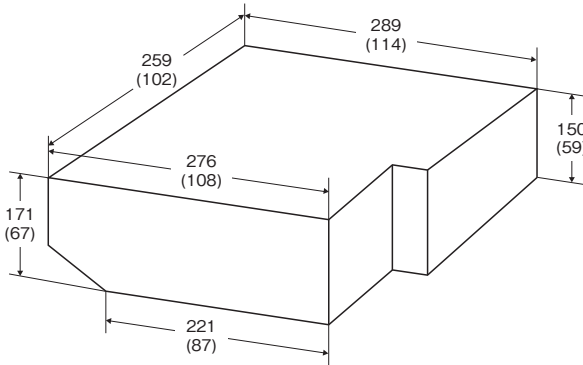
Compartment	ULD
FWD	20 Containers / 6 Pallets
AFT	16 Containers / 5 Pallets
TOTAL	36 Containers / 11 Pallets

● Weight Limitation

Compartment	Maximum Weight of Loading	Floor Limitation
FWD	32,005kg (70,560Lbs)	977kg/m ² (200Lbs/ft ²)
AFT	25,655kg (56,560Lbs)	977kg/m ² (200Lbs/ft ²)
BULK	2,735kg (6,030Lbs)	732kg/m ² (150Lbs/ft ²)

■ Bulk Comp't dimension

1 cm (inch)

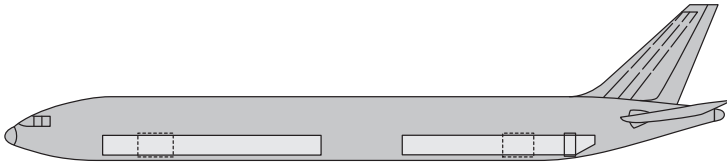


● Package size table (BULK)

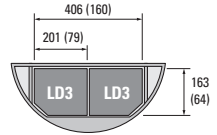
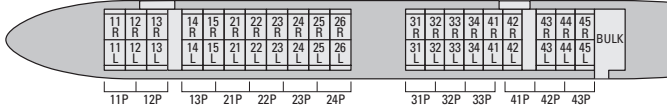
1 cm (inch)

		Width						
		12 (5)	25 (10)	38 (15)	50 (20)	63 (25)	76 (30)	88 (35)
		Length						
Height	111 (45)	304 (120)	304 (120)	292 (115)	279 (110)	266 (105)	254 (100)	241 (95)
	101 (40)	317 (125)	304 (120)	292 (115)	279 (110)	266 (105)	254 (100)	241 (95)
	91 (36)	317 (125)	304 (120)	292 (115)	279 (110)	266 (105)	254 (100)	241 (95)
	81 (32)	317 (125)	304 (120)	292 (115)	279 (110)	266 (105)	254 (100)	241 (95)
	71 (28)	330 (130)	317 (125)	304 (120)	292 (115)	279 (110)	266 (105)	254 (100)
	60 (24)	330 (130)	317 (125)	304 (120)	292 (115)	279 (110)	266 (105)	254 (100)
	50 (20)	330 (130)	317 (125)	317 (125)	304 (120)	292 (115)	279 (110)	266 (105)
	40 (16)	342 (135)	330 (130)	317 (125)	304 (120)	292 (115)	279 (110)	266 (105)
	30 (12)	342 (135)	342 (135)	330 (130)	317 (125)	304 (120)	292 (115)	279 (110)
	20 (8)	355 (140)	342 (135)	330 (130)	317 (125)	304 (120)	304 (120)	292 (115)
10 (4)	368 (145)	355 (140)	342 (135)	330 (130)	317 (125)	304 (120)	292 (115)	

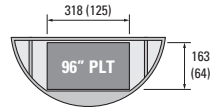
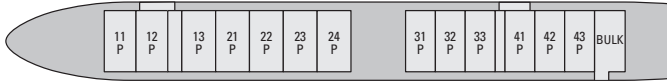
11 BOEING 787-10



Container



Pallet



● Cargo door dimensions

1 cm (inch)

Name of CGO Door	Door Dimension Width × Height
FWD CGO Door	269 × 170 (106 × 67)
AFT CGO Door	269 × 170 (106 × 67)
BULK CGO Door	102 × 156 (40.1 × 61.5)

● Maximum Number of ULD

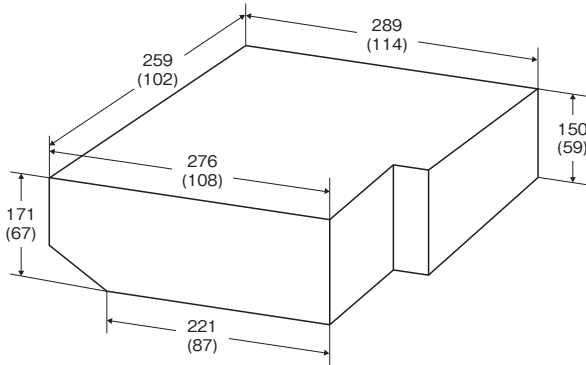
Compartment	ULD
FWD	22 Containers / 7 Pallets
AFT	18 Containers / 6 Pallets
TOTAL	40 Containers / 13 Pallets

● Weight Limitation

Compartment	Maximum Weight of Loading	Floor Limitation
FWD	36,967kg (81,500lb)	977kg/m ² (200lbs/ft ²)
AFT	30,617kg (67,500lb)	977kg/m ² (200lbs/ft ²)
BULK	2,735kg (6,030lb)	732kg/m ² (150lbs/ft ²)

■ Bulk Comp't dimension

1 cm (inch)

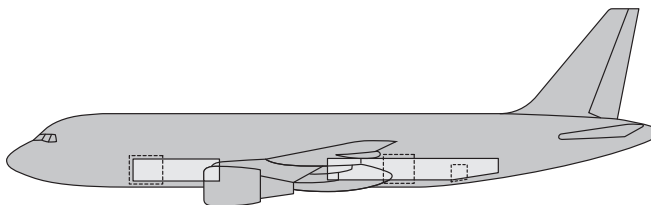


● Package size table (BULK)

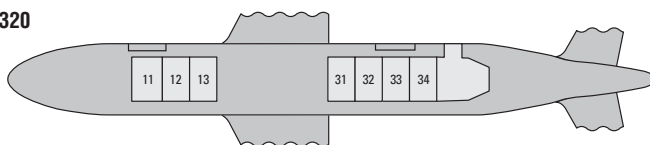
1 cm (inch)

		Width						
		12 (5)	25 (10)	38 (15)	50 (20)	63 (25)	76 (30)	88 (35)
		Length						
Height	111 (45)	304 (120)	304 (120)	292 (115)	279 (110)	266 (105)	254 (100)	241 (95)
	101 (40)	317 (125)	304 (120)	292 (115)	279 (110)	266 (105)	254 (100)	241 (95)
	91 (36)	317 (125)	304 (120)	292 (115)	279 (110)	266 (105)	254 (100)	241 (95)
	81 (32)	317 (125)	304 (120)	292 (115)	279 (110)	266 (105)	254 (100)	241 (95)
	71 (28)	330 (130)	317 (125)	304 (120)	292 (115)	279 (110)	266 (105)	254 (100)
	60 (24)	330 (130)	317 (125)	304 (120)	292 (115)	279 (110)	266 (105)	254 (100)
	50 (20)	330 (130)	317 (125)	317 (125)	304 (120)	292 (115)	279 (110)	266 (105)
	40 (16)	342 (135)	330 (130)	317 (125)	304 (120)	292 (115)	279 (110)	266 (105)
	30 (12)	342 (135)	342 (135)	330 (130)	317 (125)	304 (120)	292 (115)	279 (110)
	20 (8)	355 (140)	342 (135)	330 (130)	317 (125)	304 (120)	304 (120)	292 (115)
10 (4)	368 (145)	355 (140)	342 (135)	330 (130)	317 (125)	304 (120)	292 (115)	

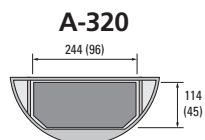
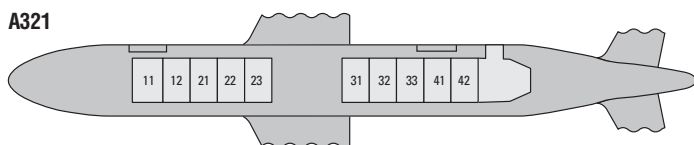
12 AIRBUS 320/321



A320



A321



A-321

● Cargo door dimensions

1 cm (inch)

Name of CGO Door	Door Dimension Width × Height
FWD CGO Door	182 × 119 (71.5 × 46.9)
AFT CGO Door	182 × 119 (71.5 × 46.9)
BULK CGO Door	95 × 77 (37.6 × 30)

● Maximum Number of ULD

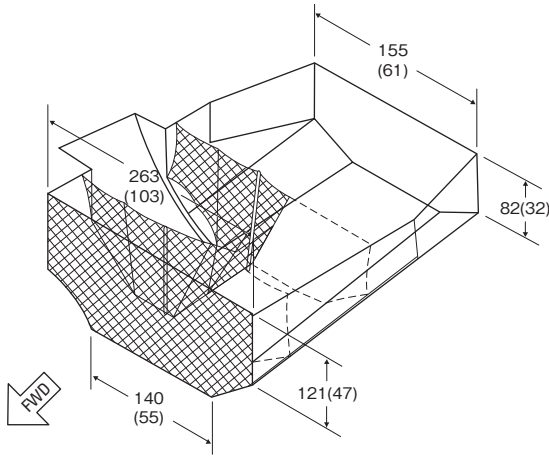
Compartment	ULD			
	A320	3 Containers	A321	5 Containers
FWD				
AFT		4 Containers		5 Containers
TOTAL		7 Containers		10 Containers

● Weight Limitation

Compartment	Maximum Weight of Loading		Floor Limitation
	A320	A321	
FWD	3,402kg (7,500Lbs)	5,070kg (12,500Lbs)	488kg/m ² (100Lbs/ft ²)
AFT	4,536kg (10,000Lbs)	5,670kg (12,500Lbs)	488kg/m ² (100Lbs/ft ²)
BULK	1,497kg (3,300Lbs)	1,497kg (3,300Lbs)	732kg/m ² (150Lbs/ft ²)

■ Bulk Comp't dimension

1 cm (inch)

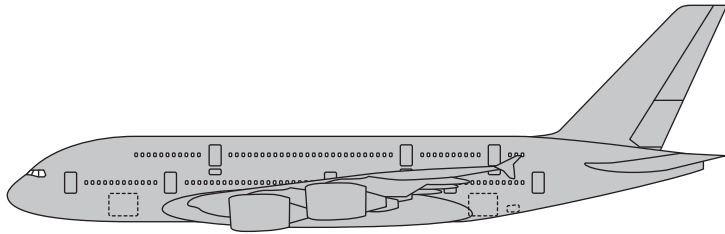


● Package size table (BULK)

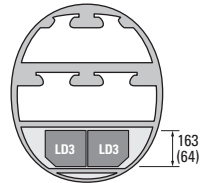
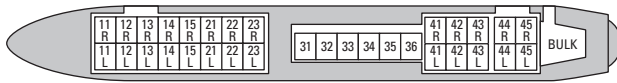
1 cm (inch)

		Width								
		10(3.9)	20(7.8)	30(11.8)	40(15.7)	50(19.6)	60(23.6)	70(27.5)	80(31.4)	85(33.4)
		Length								
Height	10(3.9)	323 (127.0)	323 (127.0)	321 (126.0)	318 (125.1)	316 (124.4)	310 (122.0)	303 (119.2)	277 (109.0)	268 (105.5)
	20(7.8)	323 (127.0)	323 (127.0)	321 (126.0)	318 (125.1)	315 (124.0)	307 (120.8)	296 (116.5)	273 (107.4)	265 (104.3)
	30(11.8)	323 (127.0)	321 (126.0)	317 (124.8)	314 (123.6)	304 (119.6)	295 (116.1)	278 (109.4)	260 (102.3)	254 (100.0)
	40(15.7)	319 (125.6)	315 (124.2)	311 (122.4)	301 (118.5)	290 (114.1)	282 (111.0)	262 (103.1)	248 (97.6)	243 (95.6)
	50(19.6)	311 (122.4)	309 (121.6)	291 (114.5)	281 (110.6)	271 (106.6)	257 (101.1)	242 (95.2)	231 (90.9)	228 (89.7)
	60(23.6)	290 (114.1)	273 (107.4)	259 (101.9)	247 (97.2)	234 (92.1)	224 (88.1)	217 (85.4)	211 (83.0)	208 (81.8)
	65(25.5)	270 (106.2)	257 (101.1)	241 (94.8)	229 (90.1)	217 (85.4)	208 (81.8)	202 (79.5)	198 (77.9)	193 (75.9)

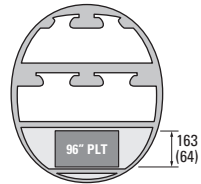
13 AIRBUS 380



Container



Pallet



● Cargo door dimensions

1 cm (inch)

Name of CGO Door	Door Dimension Width × Height
FWD CGO Door	311 × 175 (122 × 68)
AFT CGO Door	279 × 175 (109 × 68)
BULK CGO Door	113 × 99 (44 × 38)

● Maximum Number of ULD

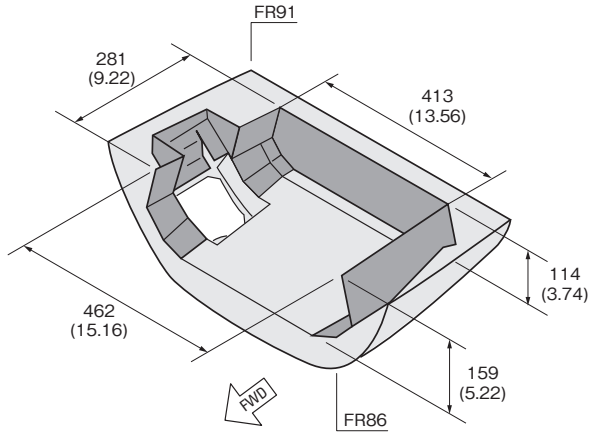
Compartment	ULD
FWD	16 Containers / 5 Pallets
AFT	16 Containers / 6 Pallets
TOTAL	32 Containers / 11 Pallets

● Weight Limitation

Compartment	Maximum Weight of Loading	Floor Limitation
FWD	36,967kg (81,500lb)	659kg/m ² (135lbs/ft ²)
AFT	30,617kg (67,500lb)	659kg/m ² (135lbs/ft ²)
BULK	2,735kg (6,030lb)	732kg/m ² (150lbs/ft ²)

■ Bulk Comp't dimension

1 cm (inch)



● Package size table (BULK)

1 cm (inch)

SECTION 52

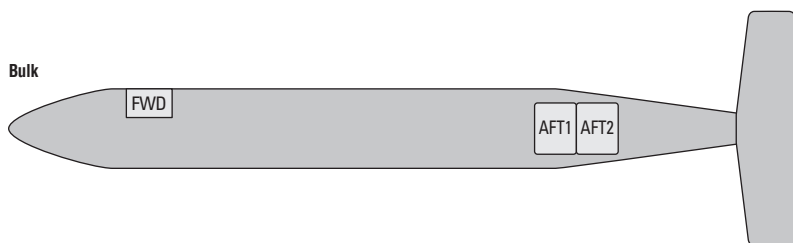
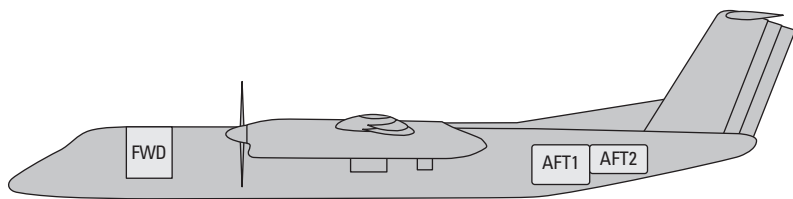
		Width											
		10 (3)	15 (5)	20 (7)	25 (9)	30 (11)	35 (13)	40 (15)	45 (17)	50 (19)	55 (21)	60 (23)	65 (25)
Height		Length											
		up to 60 (23)	294 (115)	289 (113)	284 (112)	280 (110)	275 (108)	271 (106)	266 (105)	262 (103)	258 (101)	254 (100)	250 (98)

SECTION 53

		Width											
		10 (3)	15 (5)	20 (7)	25 (9)	30 (11)	35 (13)	40 (15)	45 (17)	50 (19)	55 (21)	60 (23)	
Height		Length											
		up to 60 (23)	320 (126)	319 (125)	318 (125)	318 (125)	318 (125)						

※ SECTION 51 は最大搭載重量制限を超えない範囲で搭載する。

14 DHC8-400



● Cargo door dimensions

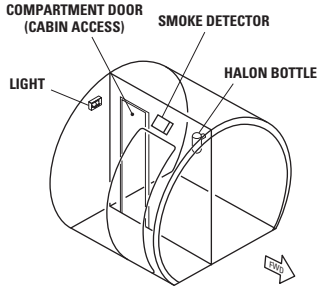
1 cm (inch) |

Name of CGO Door	Door Dimension Width × Height
FWD CGO Door	61 × 137 (24 × 54)
AFT CGO Door	127 × 152 (50 × 60)

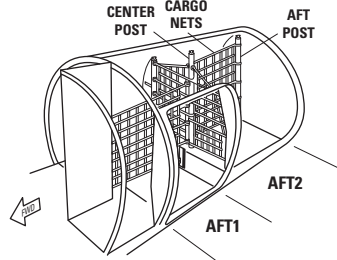
● Weight Limitation

Compartment	Maximum Weight of Loading	Floor Limitation
FWD	407kg (904Lbs)	610kg/m ² (125Lbs/ft ²)
AFT-1	681kg (1,500Lbs)	610kg/m ² (125Lbs/ft ²)
AFT-2	454kg (1,000Lbs)	366kg/m ² (75Lbs/ft ²)

■ FWD CARGO COMPARTMENT



■ AFT CARGO COMPARTMENT



● Package size table (FWD)

1 cm (inch)

		Width					
		10 (4)	20 (8)	30 (12)	40 (16)	50 (20)	60 (24)
		Length					
Height	135 (56)	60 (24)	60 (24)	60 (24)	60 (24)	60 (24)	60 (24)
	130 (52)	60 (24)	60 (24)	60 (24)	60 (24)	60 (24)	60 (24)
	120 (48)	60 (24)	60 (24)	60 (24)	60 (24)	60 (24)	60 (24)
	110 (44)	72 (29)	67 (27)	61 (24)	60 (24)	60 (24)	60 (24)
	100 (40)	86 (34)	81 (32)	75 (30)	68 (27)	60 (24)	60 (24)
	90 (36)	99 (39)	94 (37)	88 (35)	81 (32)	73 (29)	60 (24)
	80 (32)	111 (44)	106 (42)	100 (40)	93 (37)	85 (34)	76 (30)
	70 (28)	122 (48)	117 (46)	111 (44)	104 (41)	96 (38)	87 (35)
	60 (24)	132 (52)	127 (50)	121 (48)	114 (45)	106 (42)	97 (39)
	50 (20)	141 (56)	136 (54)	130 (52)	123 (49)	115 (46)	106 (42)
	40 (16)	149 (59)	144 (57)	138 (55)	131 (52)	123 (49)	114 (45)
	30 (12)	156 (62)	151 (60)	145 (58)	138 (55)	130 (52)	121 (48)
	20 (8)	162 (64)	157 (62)	151 (60)	144 (57)	136 (54)	127 (50)
	10 (4)	167 (66)	162 (64)	156 (62)	149 (59)	141 (56)	132 (52)

14 DHC8-400

● Package size table (AFT-1)

I cm (inch) I

		Width											
		10	20	30	40	50	60	70	80	90	100	110	118
		(4)	(8)	(12)	(16)	(20)	(24)	(28)	(32)	(36)	(40)	(44)	(47)
		Length											
		138	125	125	125	125	125	125	125	125	125	125	125
Height	(55)	(50)	(50)	(50)	(50)	(50)	(50)	(50)	(50)	(50)	(50)	(50)	(50)
	130	125	125	125	125	125	125	125	125	125	125	125	125
	(52)	(50)	(50)	(50)	(50)	(50)	(50)	(50)	(50)	(50)	(50)	(50)	(50)
	120	125	125	125	125	125	125	125	125	125	125	125	125
	(48)	(50)	(50)	(50)	(50)	(50)	(50)	(50)	(50)	(50)	(50)	(50)	(50)
	110	125	125	125	125	125	125	125	125	125	125	125	125
	(44)	(50)	(50)	(50)	(50)	(50)	(50)	(50)	(50)	(50)	(50)	(50)	(50)
	100	131	126	125	125	125	125	125	125	125	125	125	125
	(40)	(52)	(50)	(50)	(50)	(50)	(50)	(50)	(50)	(50)	(50)	(50)	(50)
	90	144	139	131	126	125	125	125	125	125	125	125	125
	(36)	(57)	(55)	(52)	(50)	(50)	(50)	(50)	(50)	(50)	(50)	(50)	(50)
	80	156	151	145	138	136	125	125	125	125	125	125	125
	(32)	(62)	(60)	(58)	(55)	(52)	(50)	(50)	(50)	(50)	(50)	(50)	(50)
	70	167	162	156	149	141	132	125	125	125	125	125	125
	(28)	(66)	(64)	(62)	(59)	(56)	(52)	(50)	(50)	(50)	(50)	(50)	(50)
60	177	172	166	159	151	142	132	125	125	125	125	125	
(24)	(70)	(68)	(66)	(63)	(60)	(56)	(52)	(50)	(50)	(50)	(50)	(50)	
50	186	181	175	168	160	151	141	130	125	125	125	125	
(20)	(74)	(72)	(69)	(67)	(63)	(60)	(56)	(52)	(50)	(50)	(50)	(50)	
40	194	189	183	176	168	159	149	138	126	125	125	125	
(16)	(77)	(75)	(72)	(70)	(67)	(63)	(59)	(55)	(50)	(50)	(50)	(50)	
30	201	196	190	183	175	166	156	145	131	125	125	125	
(12)	(80)	(78)	(75)	(72)	(69)	(66)	(62)	(58)	(52)	(50)	(50)	(50)	
20	207	202	196	189	181	172	162	151	139	126	125	125	
(8)	(82)	(80)	(78)	(75)	(72)	(68)	(64)	(60)	(55)	(50)	(50)	(50)	
10	212	207	201	194	186	177	167	156	144	131	125	125	
(4)	(84)	(82)	(80)	(77)	(74)	(70)	(66)	(62)	(57)	(52)	(50)	(50)	

● **Package size table (AFT-2)**

1 cm (inch)

		Width					
		10 (4)	20 (8)	30 (12)	40 (16)	50 (20)	60 (24)
		Length					
Height	110 (44)	120 (48)	120 (48)	120 (48)	120 (48)	120 (48)	120 (48)
	100 (40)	120 (48)	120 (48)	120 (48)	120 (48)	120 (48)	120 (48)
	90 (36)	124 (49)	120 (48)	120 (48)	120 (48)	120 (48)	120 (48)
	80 (32)	132 (52)	124 (49)	120 (48)	120 (48)	120 (48)	120 (48)
	70 (28)	140 (56)	132 (52)	124 (49)	120 (48)	120 (48)	120 (48)
	60 (24)	148 (59)	140 (56)	132 (52)	124 (49)	120 (48)	120 (48)
	50 (20)	156 (62)	148 (59)	140 (56)	132 (52)	124 (49)	120 (48)
	40 (16)	164 (65)	156 (62)	148 (59)	140 (56)	132 (52)	124 (49)
	30 (12)	172 (68)	164 (65)	156 (62)	148 (59)	140 (56)	132 (52)
	20 (8)	180 (71)	172 (68)	164 (65)	156 (62)	148 (59)	140 (56)
10 (4)	188 (74)	180 (71)	172 (68)	164 (65)	156 (62)	148 (59)	

UNIT LOAD DEVICE

CONTAINER

IATA ID Code (ATA Code)	Illustration	内容量： Int Volume: m ³ (ft ³)	自重： Tare Wt: kg(Lbs)	
	内寸： Internal Dimension: cm(inch)	外寸 L × W × H： External Dimension L × W × H: cm(inch)	搭載可能機種	重量制限 (自重含)： Weight Lim. Inc ULD Tare Wt: kg(Lbs)
		ドアサイズ L × H： Door Size L × H: cm(inch)	Loadable Aircraft	
DKH (AKH) (LD-3-46WF)		3.2 (113)	125 ~ 135 (276 ~ 298)	
		244 × 153 × 117 (96 × 60.4 × 46)	B777 B787 B767 A320 A321 A380	1,134 (2,500)
DC		143 × 95 (56 × 37)		
DKH (LD-3-45WF)		3.1 (109)	125 ~ 135 (276 ~ 298)	
		244 × 153 × 114 (96 × 60.4 × 45)	B777 B787 B767 A320 A321 A380	1,134 (2,500)
DC		147 × 95 (58 × 37)		
AKH (LD3-45WF)		3.0(106)	111 (245)	
		215 × 148 × 144 (84.6 × 58.2 × 44.8)	B777 B787 B767 A320 A321 A380	1,134 (2,500)
DC		137 × 95 (54 × 37)		

*国際 IC (International) 国内 DC (Domestic)

IATA ID Code (IATA Code)	Illustration	内容量： Int Volume: m ³ (ft ³)	自重： Tare Wt: kg(Lbs)	
	内寸： Internal Dimension: cm(inch)	外寸 L × W × H： External Dimension L × W × H: cm(inch)	搭載可能機種 Loadable Aircraft	重量制限 (自重含)： Weight Lim. Inc ULD Tare Wt: kg(Lbs)
AKH (LD3-45WF)		3.3(116)	95(209)	
		156 × 153 × 114 (61.5 × 60.4 × 45)	B777 B787 B767 A320 A321 A380	1,134 (2,500)
IC		137 × 105 (54 × 41)		
DKN (LD-3F)		3.8(134)	125 ~ 135 (276 ~ 298)	
		156 × 153 × 163 (61.5 × 60.4 × 64)	B777 B787 B767 A380	1,587 (3,500)
DC		143 × 141 (56 × 56)		
DKN (LD-3F) LIGHT WEIGHT TYPE		4.0(141)	113 (250)	
		156 × 153 × 163 (61.5 × 60.4 × 64)	B777 B787 B767 A380	1,587 (3,500)
DC		140 × 143 (55 × 56.3)		

*国際 IC (International) 国内 DC (Domestic)

UNIT LOAD DEVICE

CONTAINER

IATA ID Code (ATA Code)	Illustration	内容量： Int Volume: m ³ (ft ³)	自重： Tare Wt: kg(Lbs)	
	内寸： Internal Dimension: cm(inch)	外寸 L × W × H： External Dimension L × W × H: cm(inch)	搭載可能機種 Loadable Aircraft	重量制限 (自重含)： Weight Lim. Inc ULD Tare Wt: kg(Lbs)
DKN (LD-3F) GOH		3.8(134)	162 (357)	
		156 × 153 × 163 (61.5 × 60.4 × 64)	B777 B787 B767 A380	1,587 (3,500)
IC DC		143 × 139 (56 × 55)		
AKN (LD-3F) GOH		3.8 (134)	120 (242)	
		156 × 153 × 163 (61.5 × 60.4 × 64)	B777 B787 B767 A380	1,587 (3,500)
IC DC		143 × 142 (56 × 56)		
AKE (LD-3) LIGHT WEIGHT TYPE		4.4 (156)	71 (157)	
		156 × 153 × 163 (61.5 × 60.4 × 64)	B777 B787 B767 A380	1,587 (3,500)
IC		138 × 153 (54.3 × 60.4)		

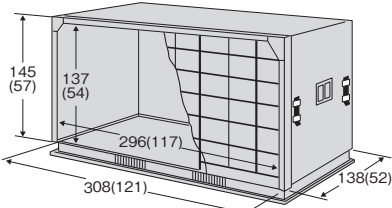
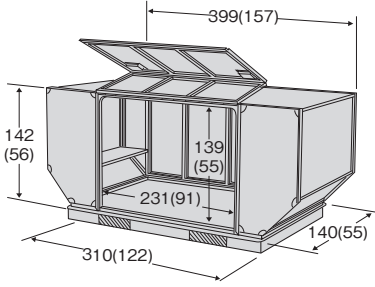
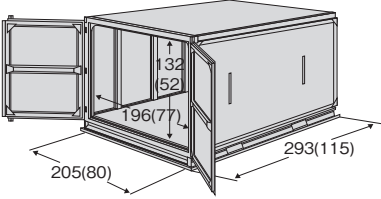
*国際 IC (International) 国内 DC (Domestic)

IATA ID Code (IATA Code)	Illustration 内寸： Internal Dimension: cm(inch)	内容量： Int Volume: m ³ (ft ³)	自重： Tare Wt: kg(Lbs)	
		外寸 L × W × H： External Dimension L × W × H: cm(inch) ドアサイズ L × H： Door Size L × H: cm(inch)	搭載可能機種 Loadable Aircraft	重量制限 (自重含)： Weight Lim. Inc ULD Tare Wt: kg(Lbs)
DQP (LD-4F)		5.1 (180)	190 ~ 200 (419 ~ 441)	
		244 × 153 × 163 (96 × 60.4 × 64)	B777 B767	2,449 (5,400)
DC		231 × 139 (91 × 55)	B787	2,449 (5,400) ※横積みの場合 ※ Lateral loading 1,587 (3,500) ※縦積みの場合 ※ Longitudinal loading
DQP (LD-4)		5.5 (194)	120 ~ 130 (265 ~ 287)	
		244 × 153 × 163 (96 × 60.4 × 64)	B777 B767	2,449 (5,400)
IC		231 × 148 (91 × 58)	B787	2,449 (5,400) ※横積みの場合 ※ Lateral loading 1,587 (3,500) ※縦積みの場合 ※ Longitudinal loading
DQF (LD-8)		7.2 (253)	145 ~ 155 (320 ~ 342)	
		244 × 153 × 163 (96 × 60.4 × 64)	B777-200 B777-300 B787-8 B767	2,449 (5,400)
IC		225 × 154 (88 × 60)		

*国際 IC (International) 国内 DC (Domestic)

UNIT LOAD DEVICE

CONTAINER

IATA ID Code (ATA Code)	Illustration	内容量： Int Volume: m ³ (ft ³)	自重： Tare Wt: kg(Lbs)	
	内寸： Internal Dimension: cm(inch)	外寸 L × W × H： External Dimension L × W × H: cm(inch)	搭載可能機種 Loadable Aircraft	重量制限 (自重含)： Weight Lim. Inc ULD Tare Wt: kg(Lbs)
DLP (DWB) (LD-11F)		6.8 (240)	240 ~ 250 (529 ~ 551)	
		318 × 153 × 163 (125 × 60.4 × 64)	B777 B787 B767 B767ER B767F	3,175 (7,000)
DC		296 × 137 (117 × 54)	A380	3,174 (7,000)
DLF (LD-6F)		8.7(307)	270 ~ 280 (595 ~ 617)	
		318 × 153 × 163 (125 × 60.4 × 64)	B777 B787	3,175 (7,000)
DC		231 × 139 (91 × 55)	A380	3,174 (7,000)
DAP (LD-9F)		10.3 (364)	417 ~ 430 (920 ~ 948)	
		224 × 318 × 163 (88 × 125 × 64)	B777 B787	4,676 (10,310)
DC		196 × 132 (77 × 52)	B767ER B767F	5,102 (11,250)

*国際 IC (International) 国内 DC (Domestic)

IATA ID Code (ATA Code)	Illustration	内容量： Int Volume: m ³ (ft ³)	自重： Tare Wt: kg(Lbs)	
	内寸： Internal Dimension: cm(inch)	外寸 L × W × H： External Dimension L × W × H: cm(inch)	搭載可能機種 Loadable Aircraft	重量制限 (自重含)： Weight Lim. Inc ULD Tare Wt: kg(Lbs)
DAP (LD-9F) SIDE DOOR OPEN TYPE DC		10.3 (364)	360 ~ 370 (794 ~ 816)	
		318 × 224 × 163 (125 × 88 × 64)	B777 B787	4,676 (10,310)
		284 × 130 (112 × 51)	B767ER B767F	5,102 (11,250)
DAF (LD-26) DC		12.5 (441)	275 ~ 285 (606 ~ 628)	
		318 × 224 × 163 (125 × 88 × 64)	B777 B787	4,676 (10,310)
		302 × 150 (119 × 59)	A380	4,676 (10,200)
UMA (M-1) DC		15.9 (561)	439 (968)	
		318 × 244 × 244 (125 × 96 × 96)	B767F	MAIN 3,394 (7,483) ~ 6,803 (15,000)
		225 × 228 (88.4 × 89.7)	B777F	MAIN 4,082 (9,000) ~ 6,803 (15,000)

*国際 IC (International) 国内 DC (Domestic)

UNIT LOAD DEVICE

CONTAINER

IATA ID Code (ATA Code)	Illustration	内容量 : Int Volume: m ³ (ft ³)	自重 : Tare Wt: kg(Lbs)	
	内寸 : Internal Dimension: cm(inch)	外寸 L × W × H : External Dimension L × W × H: cm(inch)	搭載可能機種	重量制限 (自重含) : Weight Lim. Inc ULD Tare Wt: kg(Lbs)
AMF (LD-36)		12.5 (441)	B777 B787 A380	5,102 (11,250)
		318 × 244 × 163 (125 × 96 × 64)		
IC		302 × 150 (119 × 59)		

*国際 IC (International) 国内 DC (Domestic)

■ SPECIAL CONTAINER

IATA ID Code (IATA Code)	Illustration 内寸 : Internal Dimension: cm(inch)	内容量 : Int Volume: m ³ (ft ³)	自重 : Tare Wt: kg(Lbs)	
		外寸 L × W × H : External Dimension L × W × H: cm(inch) ドアサイズ L × H : Door Size L × H: cm(inch)	搭載可能機種 Loadable Aircraft	重量制限 (自重含) : Weight Lim. Inc ULD Tare Wt: kg(Lbs)
MQP (LD-4F)		4.9 (173)	240 ~ 250 (529 ~ 551)	
		244 × 153 × 163 (96 × 60.4 × 64)	B777 B767	2,449(5,400)
		* INSULATED (簡易保冷コンテナ)	B787	2,449 (5,400) ※横積みの場合 ※ Lateral loading
DC		231 × 140 (91 × 55)	B787	1,587 (3,500) ※縦積みの場合 ※ Longitudinal loading
MKN (LD-3F)		3.8 (134)	150 ~ 160 (331 ~ 353)	
		156 × 153 × 163 (61.5 × 60.4 × 64)	B777 B787 B767 A380	1,587 (3,500)
		* INSULATED (簡易保冷コンテナ)		
DC				
MKN (LD-3F)		3.8 (134)	125 ~ 135 (276 ~ 298)	
		156 × 153 × 163 (61.5 × 60.4 × 64)	B777 B787 B767 A380	1,587 (3,500)
		* INSULATED (簡易保冷コンテナ)		
DC				

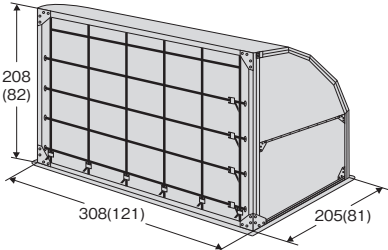
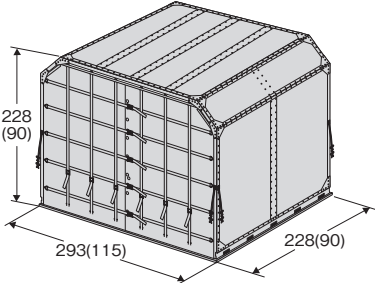
*国際 IC (International) 国内 DC (Domestic)

UNIT LOAD DEVICE

SPECIAL CONTAINER

IATA ID Code (ATA Code)	Illustration	内容量: Int Volume: m ³ (ft ³)	自重: Tare Wt: kg(Lbs)	
	内寸: Internal Dimension: cm(inch)	外寸 L × W × H: External Dimension L × W × H: cm(inch)	搭載可能機種 Loadable Aircraft	重量制限 (自重含): Weight Lim. Inc ULD Tare Wt: kg(Lbs)
MKN (LD-3F)		3.0 (106)	280 ~ 290 (617 ~ 639)	
		156 × 153 × 162 (61.5 × 60.4 × 63)	B777 B787 B767 A380	1,587 (3,500)
		* FANTYPE (保冷、ド ライアイス冷却及びド ライアイス又は蓄冷剤 兼用コンテナ)		
		143 × 141 (56 × 56)		
DC				
RKN (LD-3F)		3.5 (123)	260 ~ 270 (573 ~ 595)	
		156 × 153 × 163 (61.5 × 60.4 × 64)	B777 B787 B767 A380	1,587 (3,500)
		* Inside Temp -20 ~ +20°C * Coolant DRY - ICE* FANTYPE		
		142 × 140 (56 × 55)		
IC DC				
RAP (LD-9)		8.9 (314)	450 ~ 460 (992 ~ 1,014)	
		318 × 224 × 163 (125 × 88 × 64)	B777 B787	4,676 (10,310)
		* Inside Temp -20 ~ +20°C * Coolant DRY - ICE* FANTYPE		
		278 × 145 (109 × 57)	A380	5,102 (11,250)
IC				

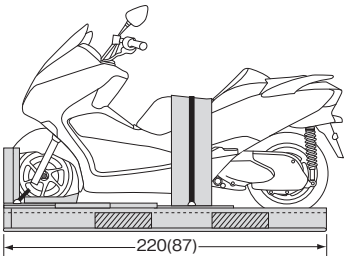
*国際 IC (International) 国内 DC (Domestic)

IATA ID Code (IATA Code)	Illustration	内容量： Int Volume: m ³ (ft ³)	自重： Tare Wt: kg(Lbs)	
	内寸： Internal Dimension: cm(inch)	外寸 L × W × H： External Dimension L × W × H: cm(inch) ドアサイズ L × H： Door Size L × H: cm(inch)	搭載可能機種 Loadable Aircraft	重量制限 (自重含)： Weight Lim. Inc ULD Tare Wt: kg(Lbs)
AAX		13.7 (484)	309 (681)	
		318 × 224 × 243 (125 × 88 × 96)	B767F	MAIN 4,857 (10,710) ~ 8,915 (19,656)
IC		295 × 233 (116 × 92)	B777F	MAIN 4,082 (9,000) ~ 6,803 (15,000)
AMA		17.1(604)	287(633)	
		318 × 244 × 244 (125 × 96 × 96)	B767F	MAIN 3,394 (7,483) ~ 6,803 (15,000)
IC		293 × 228 (115 × 90)	B777F	MAIN 4,082 (9,000) ~ 6,803 (15,000)

*国際 IC (International) 国内 DC (Domestic)

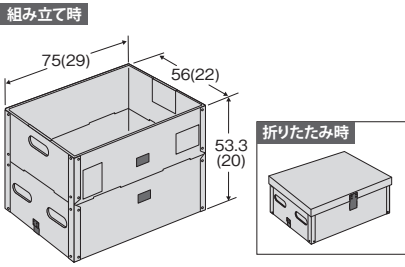
UNIT LOAD DEVICE

■ MOTORBIKE SKID (バイクスキッド)

IATA ID Code (IATA Code)	Illustration	内容量 : Int Volume: m ³ (ft ³)	自重 : Tare Wt: kg(Lbs)	
	内寸 : Internal Dimension: cm(inch)	外寸 L × W × H : External Dimension L × W × H: cm(inch)	搭載可能機種	重量制限 (自重含) : Weight Lim. Inc ULD Tare Wt: kg(Lbs)
DC		ドアサイズ L × H : Door Size L × H: cm(inch)	Loadable Aircraft	175 ~ 185 (385 ~ 407)
		220 × 74 × 49.5 (87 × 29 × 19)		

*国際 IC (International) 国内 DC (Domestic)

■ ANA MEDIUM BOX (AMB)

IATA ID Code (IATA Code)	Illustration	内容量 : Int Volume: m ³ (ft ³)	自重 : Tare Wt: kg(Lbs)	
	内寸 : Internal Dimension: cm(inch)	外寸 L × W × H : External Dimension L × W × H: cm(inch)	搭載可能機種	重量制限 (自重含) : Weight Lim. Inc ULD Tare Wt: kg(Lbs)
DC		ドアサイズ L × H : Door Size L × H: cm(inch)	Loadable Aircraft	6(13)
		78 × 59.4 × 53.3 (30 × 23 × 20)		

*国際 IC (International) 国内 DC (Domestic)

■ WATERPROOF PAN (防水パン)

IATA ID Code (ATA Code)	Illustration	内容量 : Int Volume: m ³ (ft ³)	自重 : Tare Wt: kg(Lbs)	
	内寸 : Internal Dimension: cm(inch)	外寸 L × W × H : External Dimension L × W × H: cm(inch) ドアサイズ L × H : Door Size L × H: cm(inch)	搭載可能機種 Loadable Aircraft	重量制限 (自重含) : Weight Lim. Inc ULD Tare Wt: kg(Lbs)

LD3 TYPE		0.5(17)	25(55)	
		136 × 127 × 38 (53 × 50 × 15)	B777 B787 B767 A320 A321 A380	
DC				
LD4 TYPE		0.8(17)	40(88)	
		220 × 127 × 38 (86 × 50 × 15)	B777 B787 B767	
DC				

*国際 IC (International) 国内 DC (Domestic)

■ TUNA PAN (ツナパン)

		1.5(53)	150(330)	
		184 × 149 × 65 (72 × 59 × 26)	B777 B787 B767 A380	1,587 (3,500)
DC				

*国際 IC (International) 国内 DC (Domestic)

UNIT LOAD DEVICE

■ PALLET

IATA ID Code (ATA Code)	Illustration	内容量： Int Volume: m ³ (ft ³)	自重： Tare Wt: kg(Lbs)	
	内寸： Internal Dimension: cm(inch)	外寸 L × W × H： External Dimension L × W × H: cm(inch) ドアサイズ L × H： Door Size L × H: cm(inch)	搭載可能機種 Loadable Aircraft	重量制限 (自重含)： Weight Lim. Inc ULD Tare Wt: kg(Lbs)
PLA		318 × 153 × 163 (125 × 60.4 × 64)	100(220)	
			B787	3,175 (7,000)
			B777	2,449 (5,400)
IC DC			A380	3,174 (7,000)
PAG PAJ		318 × 224 × 163 (125 × 88 × 64)	100(220)	
			B777 B787	4,676 (10,310)
			A380	4,626(10,200)
			B767ER	5,102(11,250)
			B767F	MAIN 1,950(4,300) ~ 6,803(15,000) LOWER 5,102(11,250) ~ 6,032(13,300)
IC DC			B777F	MAIN 3,233(7,128) ~ 6,803(15,000) LOWER 4,676(10,310)
PMC		318 × 244 × 163 (125 × 96 × 64)	110 (242)	
			B777 B787 B767ER	5,102 (11,250)
			A380	5,103 (11,250)
			B767F	MAIN 3,394(7,483) ~ 6,803(15,000) LOWER 5,102(11,250) ~ 6,803(15,000)
			B777F	MAIN 3,527(7,775) ~ 6,803(15,000) LOWER 5,102(11,250)
IC DC				

*国際 IC (International) 国内 DC (Domestic)

IATA ID Code (IATA Code)	Illustration	内容量 : Int Volume: m ³ (ft ³)	自重 : Tare Wt: kg(Lbs)	
	内寸 : Internal Dimension: cm(inch)	外寸 L × W × H : External Dimension L × W × H: cm(inch)	搭載可能機種 Loadable Aircraft	重量制限 (自重含) : Weight Lim. Inc ULD Tare Wt: kg(Lbs)

PRA (16 FEET) IC		498 × 244 × 244 (196 × 96 × 96)	469(1,034)	
			B767F	MAIN 6,803 (15,000) ~ 10,437 (23,010)
			B777F	MAIN 6,401 (14,112) ~ 11,339 (25,000)
PGA (20 FEET) IC		606 × 244 × 299 (239 × 96 × 118)	500(1,100)	
			B777F	7,788 (17,170) ~ 11,339 (25,000)

*国際 IC (International) 国内 DC (Domestic)

PALLET

[RIVETS] NO MORE THAN 5 MISSING RIVETS PER EDGE RAIL
*NO LESS THAN 50CM BETWEEN MISSING RIVETS

NO MORE THAN 2.5CM WRAPPED

[SHEET]
NO CRACKS OR HOLES

[CORNER CONNECTION]
NO MISSING CORNER

[EDGE RAILS]
NO CRACKS

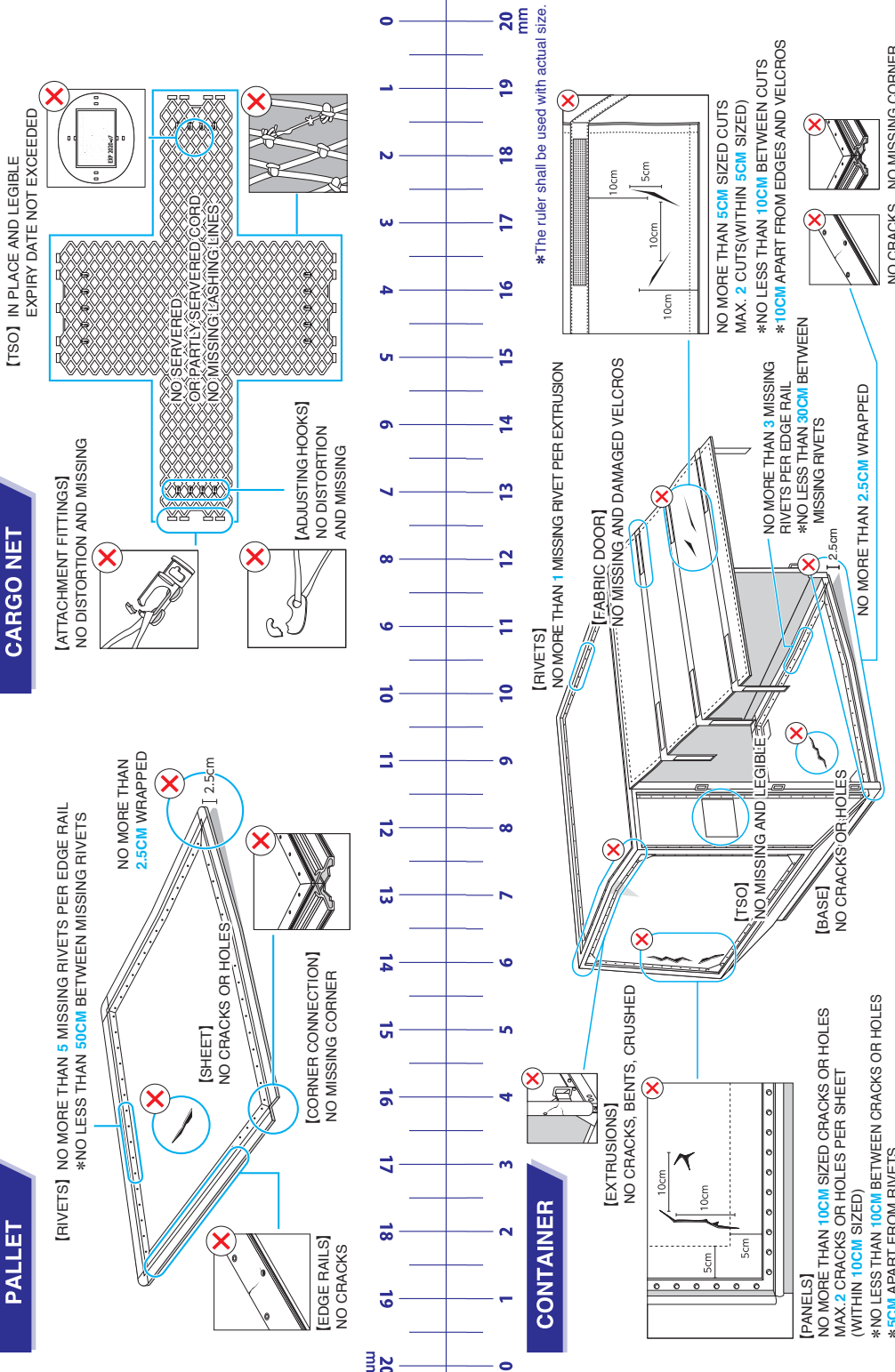
CARGO NET

[T/SO] IN PLACE AND LEGIBLE
EXPIRY DATE NOT EXCEEDED

[ATTACHMENT FITTINGS]
NO DISTORTION AND MISSING

NO SERVED, PARTLY SERVED, CORD OR PARTLY SERVED, CORD NO MISSING (LASHING LINES)

[ADJUSTING HOOKS]
NO DISTORTION AND MISSING



CONTAINER

[EXTRUSIONS]
NO CRACKS, BENTS, CRUSHED

[PANELS]
NO MORE THAN 10CM SIZED CRACKS OR HOLES
MAX. 2 CRACKS OR HOLES PER SHEET
(WITHIN 10CM SIZED)
*NO LESS THAN 10CM BETWEEN CRACKS OR HOLES
*5CM APART FROM RIVETS

[RIVETS]
NO MORE THAN 1 MISSING RIVET PER EXTRUSION

[FABRIC DOOR]
NO MISSING AND DAMAGED VELCROS

NO MORE THAN 3 MISSING RIVETS PER EDGE RAIL
*NO LESS THAN 30CM BETWEEN MISSING RIVETS

NO MORE THAN 2.5CM WRAPPED

NO MORE THAN 5CM SIZED CUTS
MAX. 2 CUTS (WITHIN 5CM SIZED)

*NO LESS THAN 10CM BETWEEN CUTS
*10CM APART FROM EDGES AND VELCROS

NO CRACKS
NO MISSING CORNER

*The ruler shall be used with actual size.



ANA Cargo

